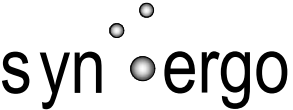


CONSORTIUM CONSULTANCY SERVICES FOR DESIGN AND CONSTRUCTION,
SUPERVISION OF PROPOSED IMPROVEMENT AND MODIFICATION OF
CLASS ROOMS (SECTION B) IN SRI LANKA INSTITUTE OF TEXTILE & APPAREL

STRUCTURAL DRAWINGS


syn ergo

chartered | architects. engineers

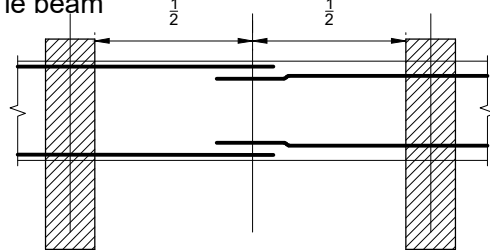
Synergo Consultants (Pvt) Limited
9A, Sarasavi Udyanaya, Nugegoda, Sri Lanka.
Tel: +94117 208907, Fax: +94112 199 175
e-mail: synergoconsultants@ymail.com
web: www.synergo.lk

General Notes:

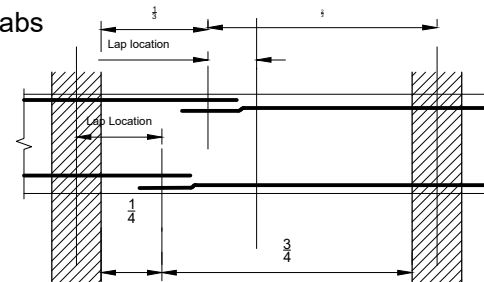
01. Materials & Workmanship
All workmanship and materials shall be in accordance with ICTAD publication No. SCA/4/1.where not specified in this note
02. Concrete mixes
 - (a) Lean concrete shall be of 15 N/mm2.
 - (b) Characteristic strength of concrete (fcu) for foundations and retaining walls shall be 25 N/mm2.
 - (c) Characteristic strength of concrete (fcu) for all other concrete shall be 25 N/mm2.
 - (d) Concrete grade for water retaining structures shall be Grade 35A.
03. Maximum Aggregate size
Nominal Maximum size of aggregate shall be 20mm .
04. Minimum Cement Content and Water cement ratio
 - (a) Minimum cement content for all other mix shall be 300 kg/m3.
 - (c) Water cement ratio of any mix shall not exceeded 0.6
05. Reinforcement
 - (a) Main reinforcement: High Yield steel with Characteristic strength (fy) 460 N/mm2
 - (b) Links: Mild steel with Characteristic strength (fy) 250 N/mm2.
06. Minimum clear cover to all reinforcement
 - (a) Foundations 40mm.
 - (b) Beams & Columns 25mm.
 - (c) Slabs & Staircases 25mm.
07. Reinforcement bar notation.
T - High Yield Steel.
R - Mild Steel.
T10 @200B1 - 01 Indicates
Type of Steel / Bar Diameter/ Spacing/Position/Bar Mark
08. Anchorage and Lap length
 - (a) Lap and Anchorage length to be = 50 x diameter of the smaller bar Where not shown in the drawings.
09. This Drawings is to be read in conjunction with all relevant Structural,Architectural, Services and Specification.

10. Lap Locations

- (a) Columns - Laps Should be staggered
- (b) Tie beam



- (c) Beams & slabs



11. Structural steelwork

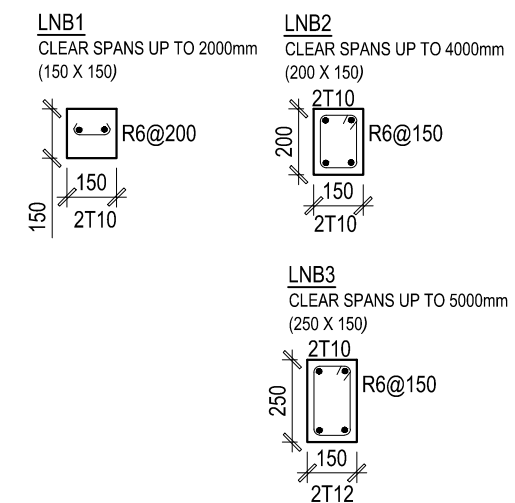
For structural steelwork the following codes and standards will be applicable.

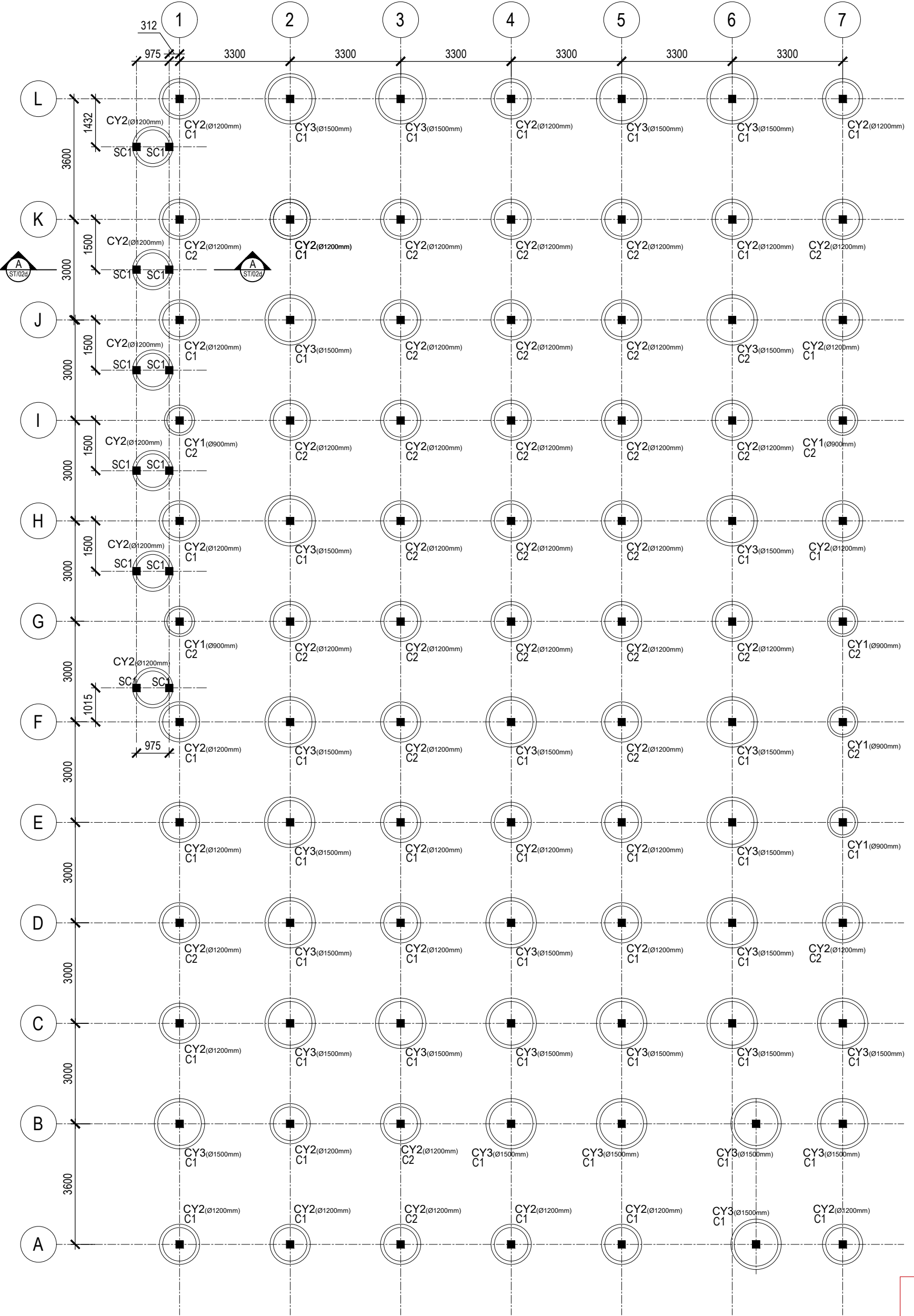
- (a) BS 449 : Specification for the use of structural steel in building
- (b) BS 4360: Specification for weldable structural steels, 1986

- Unless otherwise specified the structural steel to be used shall be S275.
- All weld metal shall be suitable steel relative to the parent metal of the structure and all electrodes used for manual welding shall conform with BS639.
- Continuous electrodes for machine welding shall be to the approval of the Engineer. All welding must conform to BS 5135.
- Site-bolted joints will normally be made using grade 8.8 bolts conforming with BS 4395 and BS 4190.

LINTEL DETAILS

MINIMUM BEARING LENGTH - 450mm





FOOTING AND COLUMN LAYOUT
SCALE 1 : 100

NO.	DATE	REVISIONS	BY	AP/D	MM/SM

Structural Engineer Eng. Lakshani Fernando BSC(Eng), CEB, MIE(SL), REGISTERED	Drawing Title COLUMN AND FOOTING LAYOUT
Drawn	Date 31-10-2023
Scale As shown	Drawing No SYN/23/15/01

DO NOT SCALE FROM DRAWINGS.
VERIFY ALL DIMENSIONS ON SITE BEFORE COMMENCING WORK.
COPYING OR REPRODUCTION OF THIS DRAWING IS
STRICTLY PROHIBITED WITHOUT THE CONSENT OF SYNERGO
CONSULTANTS (PVT) LIMITED.
ALL RIGHTS RESERVED.

TENDER ISSUE

Consortium Consultancy Services for Design and Construction,
 Supervision of Proposed Improvement and Modification of
 Class rooms (Section B) in Sri Lanka Institute of Textile & Apparel

syn o ergo
 s y n o e r g o
 consortium | architects | engineers

Syn ergo Consultants (Pvt) Limited Sri Lanka
 51, 53, 55, 57, 59, 61, 63, 65, 67, 69, 71, 73, 75,
 Tel: +94117 208807 Fax: +94117 189 175
 e-mail: synergoconsultants@gmail.com
 web: www.synergo.lk

DO NOT SCALE FROM DRAWINGS.
 VERIFY ALL DIMENSIONS ON SITE BEFORE COMMENCING WORK.
 COPYING OR REPRODUCTION OF THIS DRAWING IS
 STRICTLY PROHIBITED WITHOUT THE CONSENT OF SYN ERGO
 CONSULTANTS (PVT) LIMITED.
 ALL RIGHTS RESERVED.

NO.

DATE

REVISIONS

BY

AP/D

Drawn

Structural Engineer

Eng. Lakshani Fernando
 BSc (Eng) (Hons), CEng, MIE(SL),
 RSE(SL)

Date

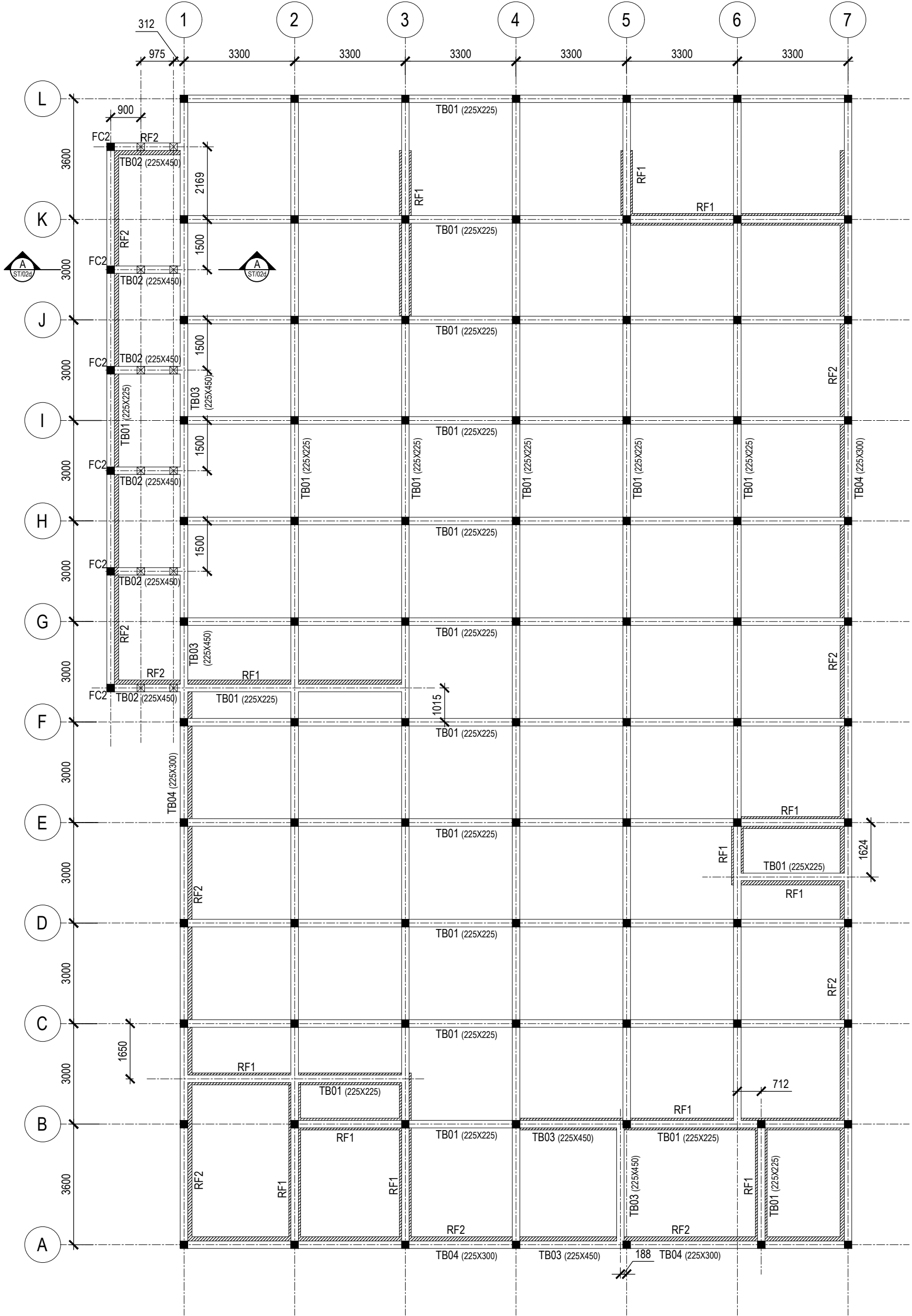
Scale

Drawing No

31-10-2023

As shown

SYN/ST/15/10/19

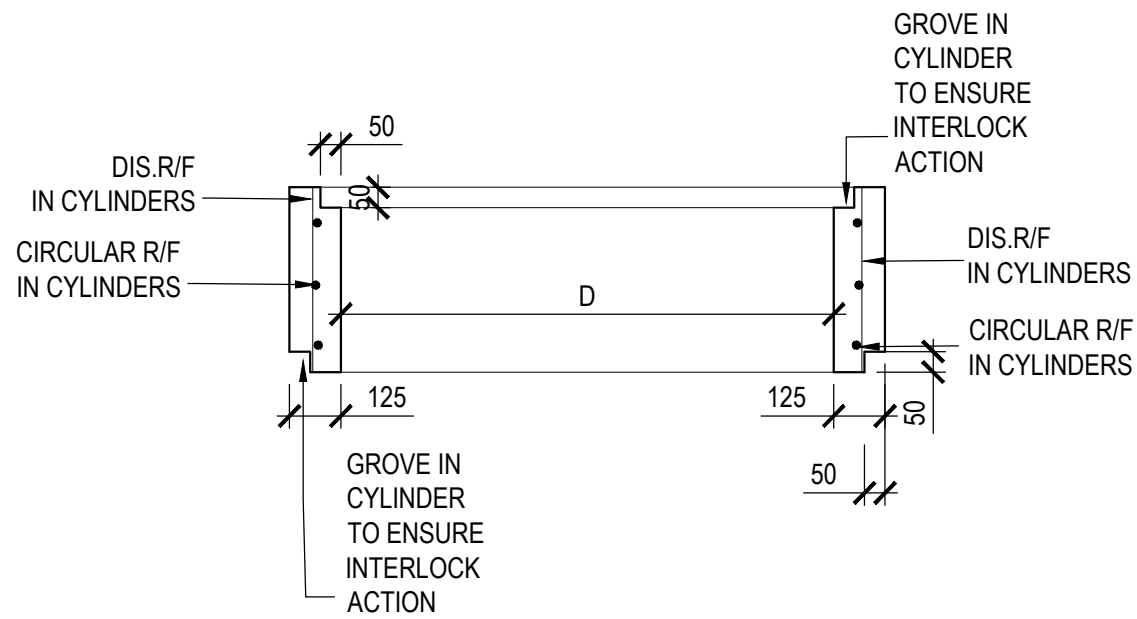


FOUNDATION LAYOUT
 SCALE 1 : 100

TENDER ISSUE

TYPICAL DETAIL - CYLINDER R/F

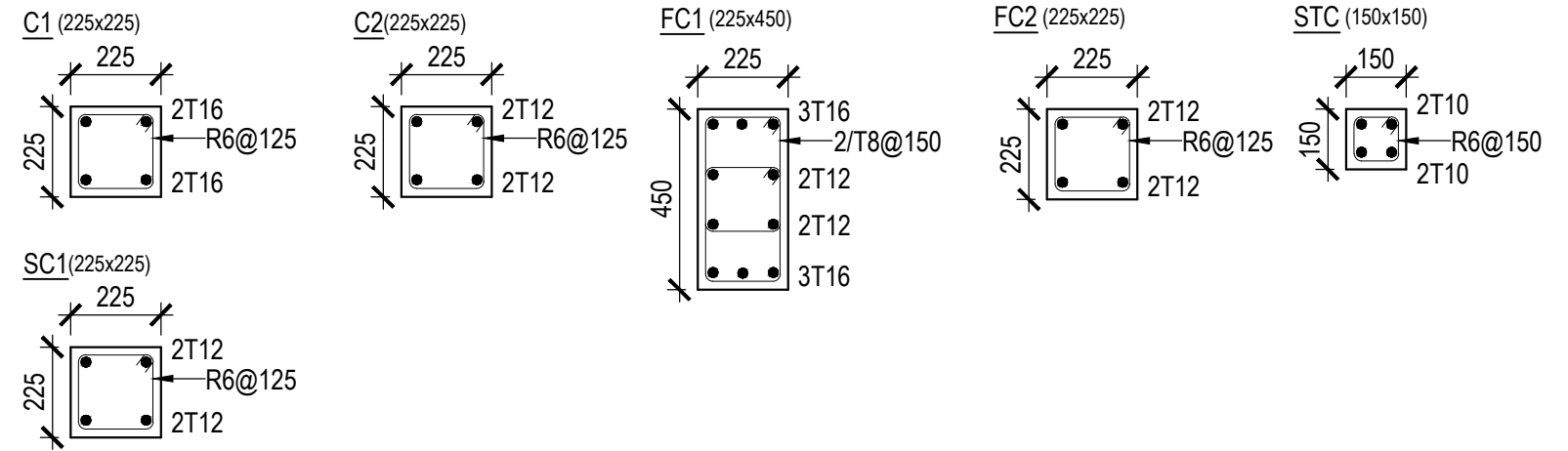
SCALE 1 : 20



TENDER ISSUE

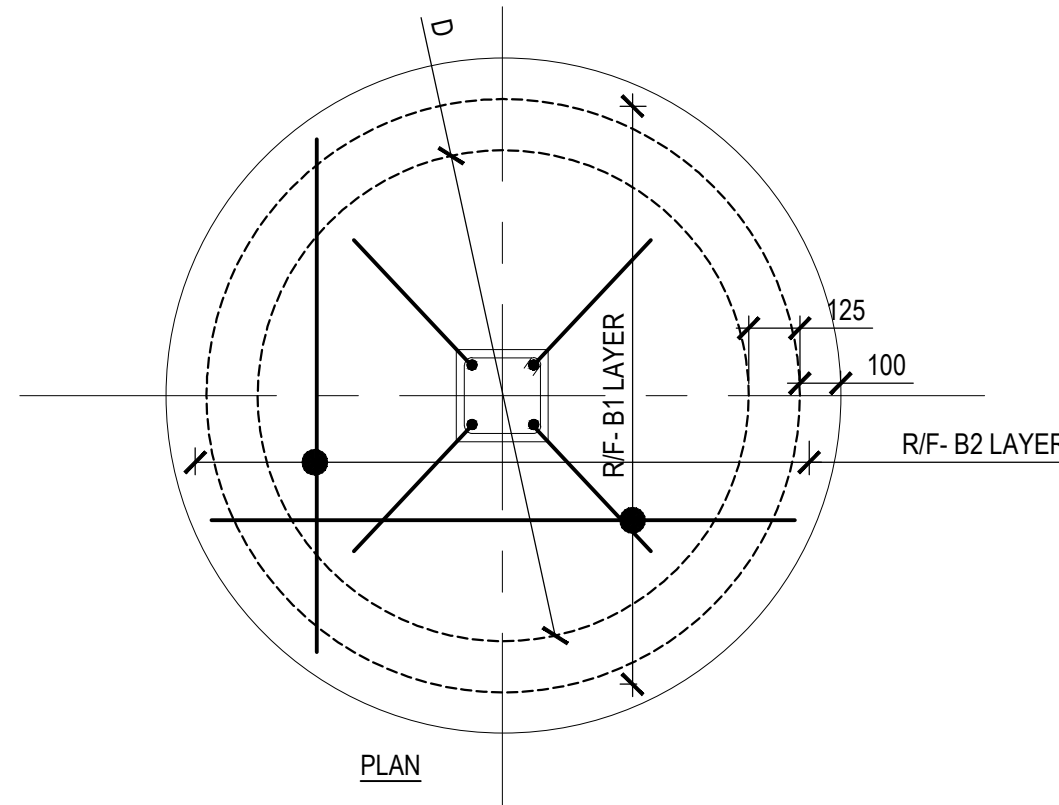
COLUMN DETAILS

SCALE 1 : 20



TYPICAL DETAIL FOR FOUNDATION ON SAND COMPACTED CYLINDER

SCALE 1 : 20



Consortium Consultancy Services for Design and Construction,
Supervision of Proposed Improvement and Modification of
Class rooms (Section B) in Sri Lanka Institute of Textile & Apparel



Synergo Consultants (Pvt) Limited
9A, Sarassavi Udayanaya, Nugegoda, Sri Lanka.
Tel: +94117 208907, Fax: +94112 199 175
e-mail: synergoconsultants@gmail.com
web: www.synergo.lk

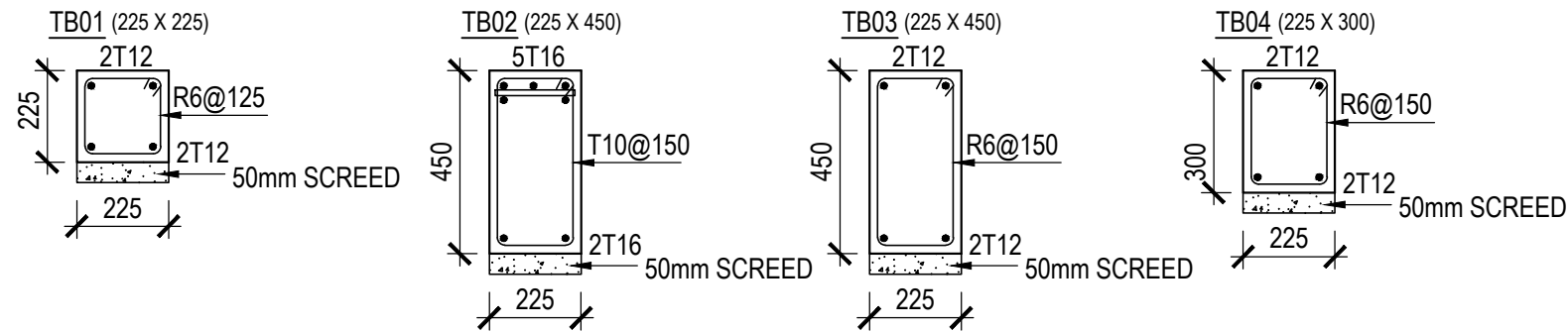
DO NOT SCALE FROM DRAWINGS.
VERIFY ALL DIMENSIONS ON SITE BEFORE COMMENCING WORK.
COPYING OR REPRODUCTION OF THIS DRAWING IS
STRICTLY PROHIBITED WITHOUT THE CONSENT OF SYNERGO
CONSULTANTS (PVT) LIMITED.
ALL RIGHTS RESERVED.

NO.	DATE	REVISIONS	BY	APVD

Structural Engineer Eng. Lakruwan Fernando B.Sc. Eng. (Hons), C.Eng. MIE(SL), MSSE(SL)		Drawing Title FOUNDATION DETAILS SHEET 01		
Drawn MWSM	Date 31-10-2023	Scale As shown	Drawing No SYN/5291/ST/02a	

TIE BEAM DETAILS

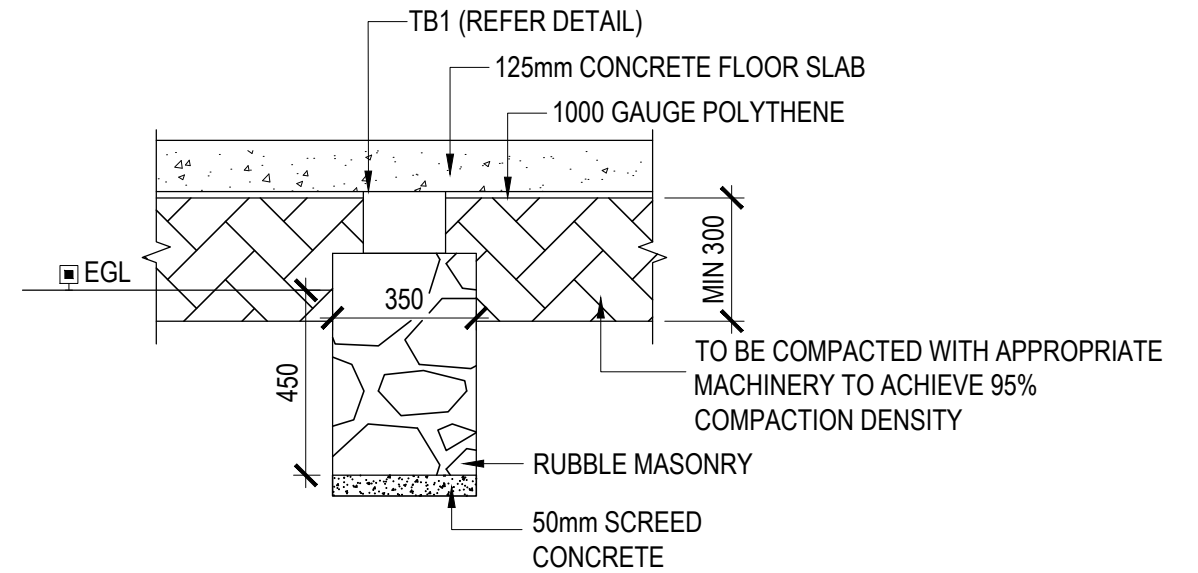
SCALE 1 : 20



SCREED APPLICABLE WHERE RUBBLE IS NOT PRESENT.

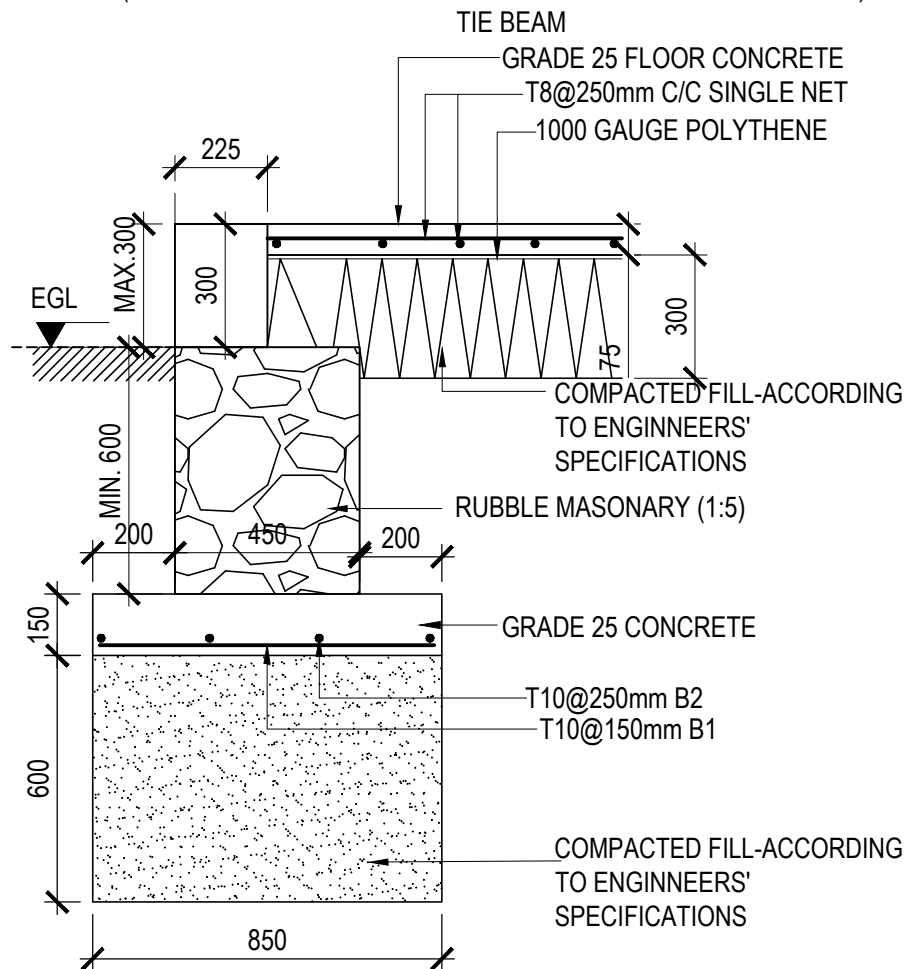
RF1 FOUNDATION DETAIL

SCALE 1 : 20



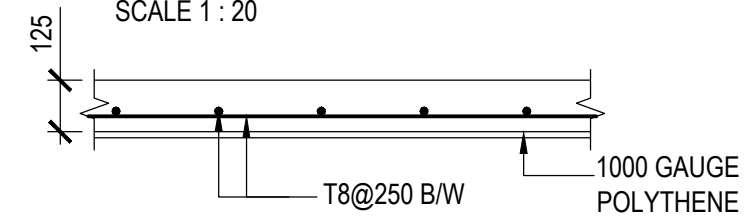
RF2 FOUNDATION DETAIL

(BELLOW PERIPHERAL TIE BEAMS & WALLS IN GROUND FLOOR)



GROUND SLAB DETAIL

SCALE 1 : 20



Consortium Consultancy Services for Design and Construction,
Supervision of Proposed Improvement and Modification of
Class rooms (Section B) in Sri Lanka Institute of Textile & Apparel

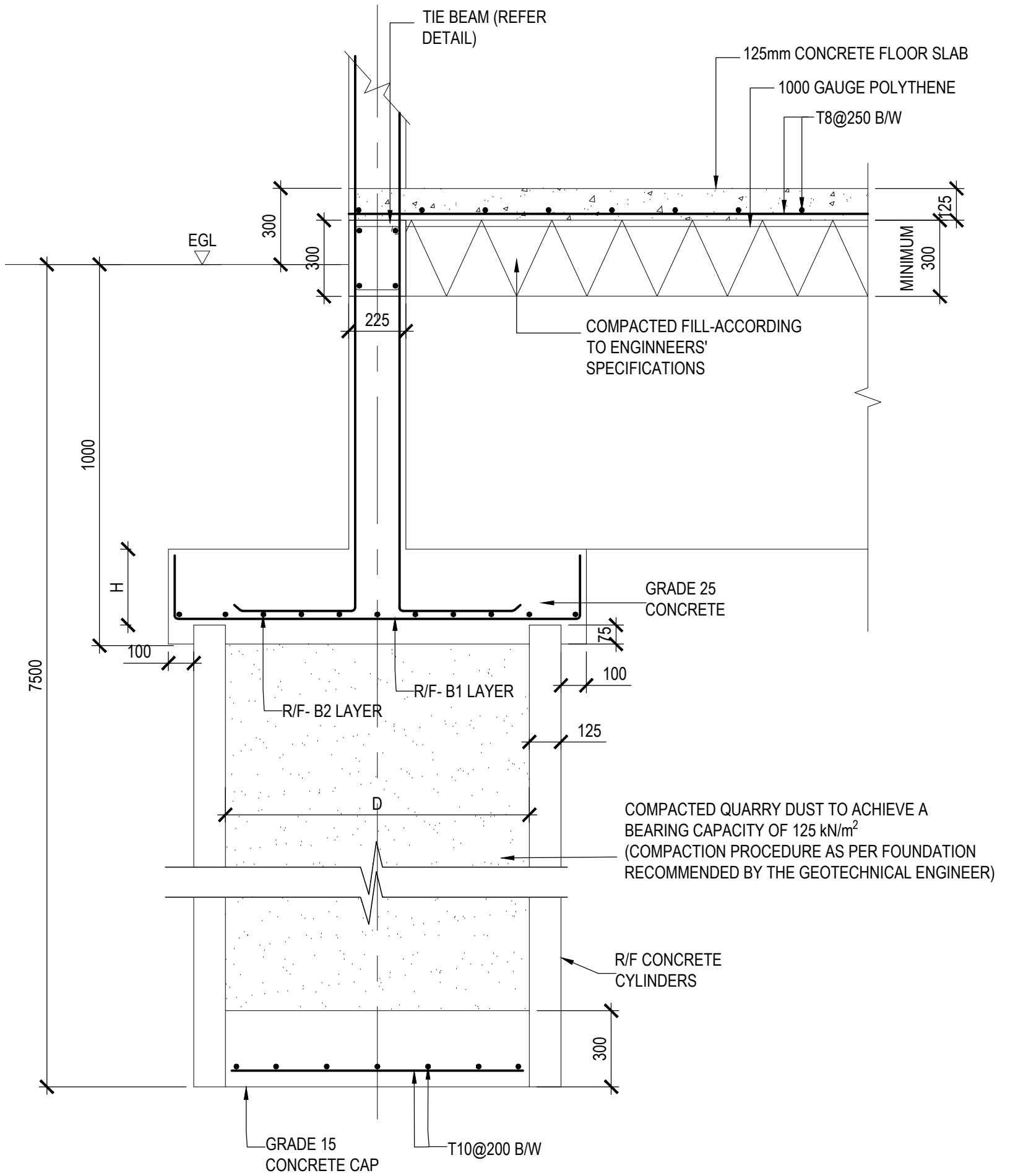
syn o ergo
chartered | architects, engineers

Synergo Consultants (Pvt) Limited
9A, Sarasavi Udayanaya, Nugegoda, Sri Lanka.
Tel: +94117 208907, Fax: +94112 199 175
e-mail: synergoconsultants@gmail.com
web: www.synergo.lk

DO NOT SCALE FROM DRAWINGS.
VERIFY ALL DIMENSIONS ON SITE BEFORE COMMENCING WORK.
COPYING OR REPRODUCTION OF THIS DRAWING IS
STRICTLY PROHIBITED WITHOUT THE CONSENT OF SYNERGO
CONSULTANTS (PVT) LIMITED.
ALL RIGHTS RESERVED.

NO.	DATE	REVISIONS	BY	APVD

Structural Engineer Eng. Lakruwan Fernando B.Sc. Eng. (Hons), C.Eng. MIE(SL), MSSE(SL)	Drawing Title FOUNDATION DETAILS SHEET 03		
Drawn MWSM	Date 31-10-2023	Scale As shown	Drawing No SYN/5291/ST/02c



SCHEDULE OF FOUNDATIONS

NAME	D	H	R/F B1 & B2	R/F T1 & T2	CIRCULAR R/F IN CYLIN. (MIN)	DIS. R/F IN CYLIN. (MIN)
CY 1	900	200	T10@150		T10@200	T10@200
CY 2	1200	250	T10@150		T10@200	T10@200
CY 3	1500	300	T10@125		T10@200	T10@200

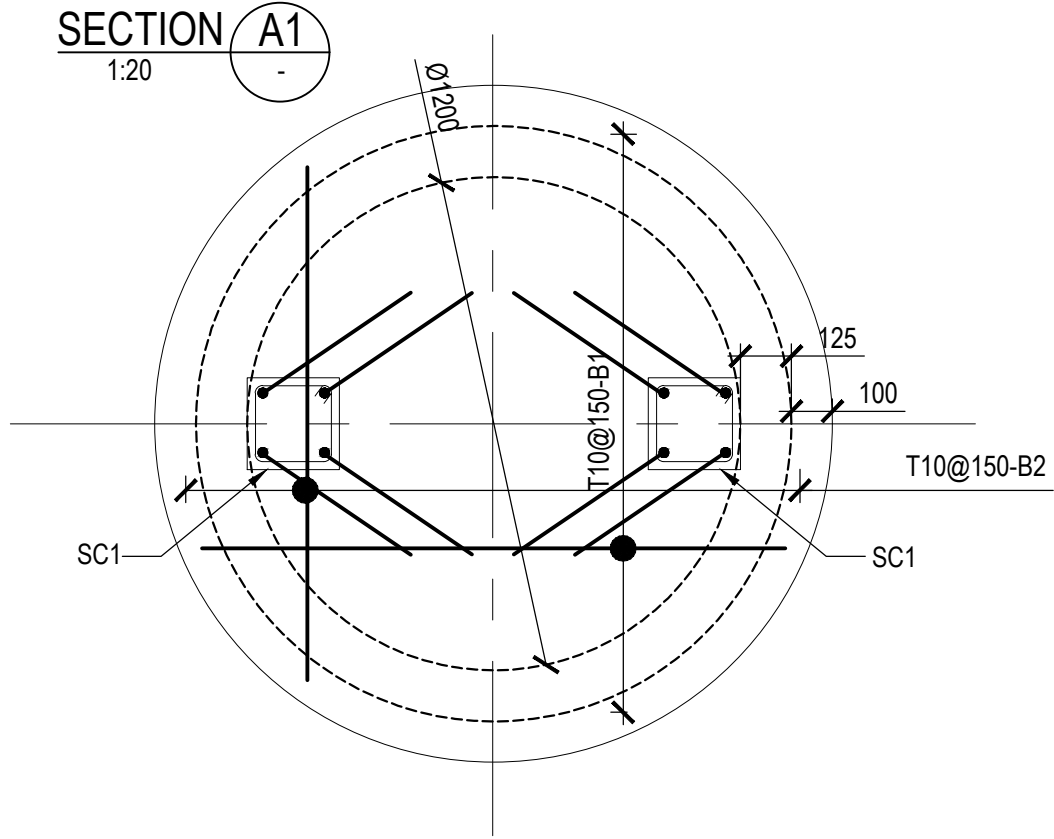
NOTE:

AFTER SOIL IMPROVEMENT IT IS REQUIRED TO CONFIRM THAT 125 kN/m² BEARING CAPACITY IS AVAILABLE IN COMPACTED QUARRY DUST IN CYLINDER.
COMPACTION TEST TO BE CARRIED OUT AT EVERY 300mm LAYER IN SELECTED CYLINDERS.

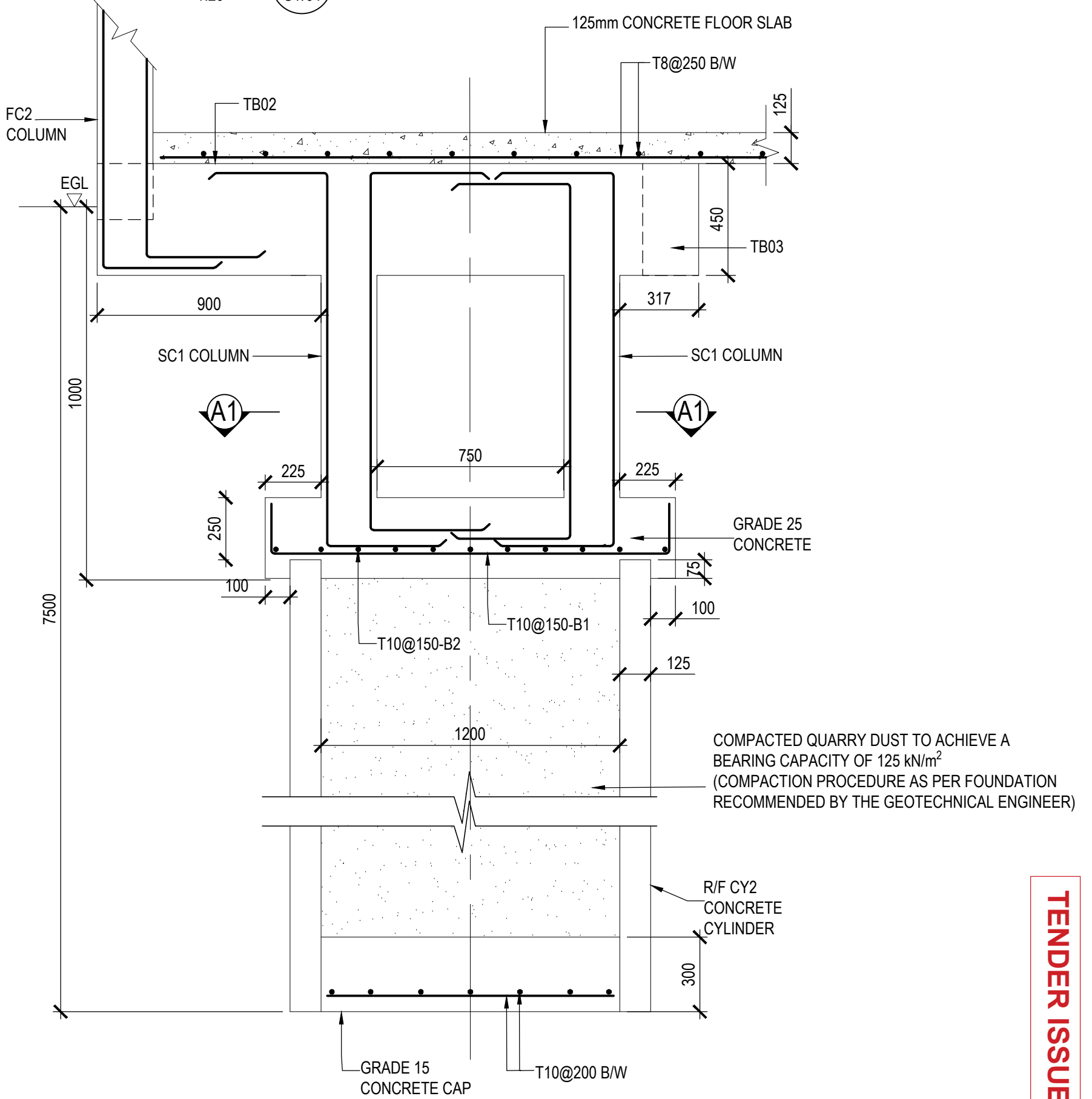
NO.	DATE	REVISIONS	BY	AP/CD

Structural Engineer	Drawing Title
Eng. Lakshani Fernando BSc(Eng), BSc(Struct), MSc(Eng)	FOUNDATION DETAILS SHEET 04
Drawn	Date
MMSM	31-10-2023
Scale	Drawing No
As shown	SYN/ST/ST/02A

SECTION A1
1:20

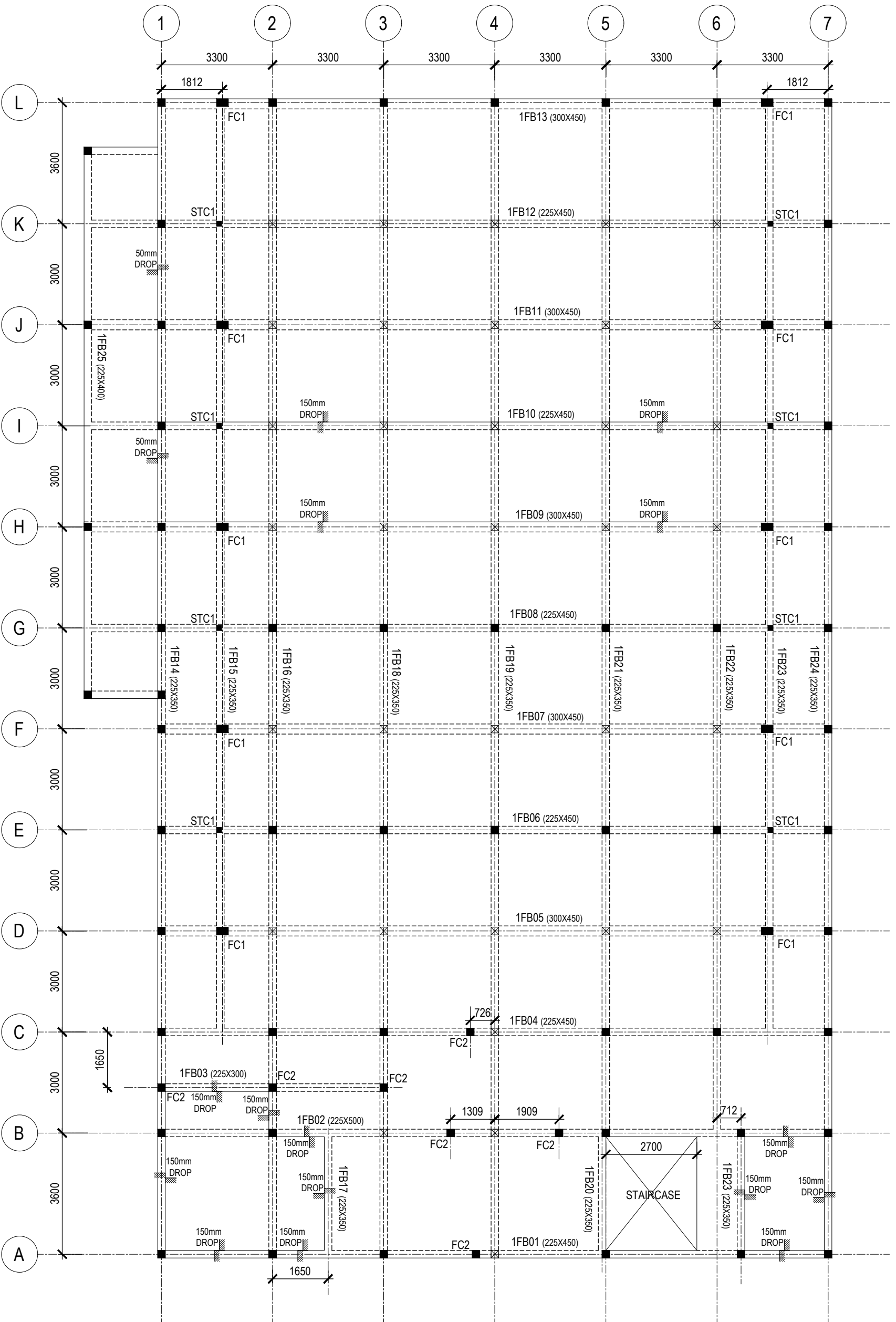


SECTION A
1:20
ST/01



TENDER ISSUE

TENDER ISSUE

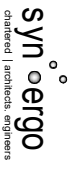


GENERAL ARRANGEMENT FIRST FLOOR

SCALE 1 : 100

SLAB THICKNESS WHERE NOT SHOWN =125mm

Consortium Consultancy Services for Design and Construction, Supervision of Proposed Improvement and Modification of Class rooms (Section B) in Sri Lanka Institute of Textile & Apparel



Syn ergo Consultancy (Pvt) Limited
9A, Sarawati Udumma, Nugegoda, Sri Lanka
Tel: +94117 208807, Fax: +94117 199 175
e-mail: synergoconsultants@gmail.com
web: www.synergo.lk

DO NOT SCALE FROM DRAWINGS
VERIFY ALL DIMENSIONS ON SITE BEFORE COMMENCING WORK
COPYING OR REPRODUCTION OF THIS DRAWING IS
STRICTLY PROHIBITED WITHOUT THE CONSENT OF SYNERGO
CONSULTANTS (PVT) LIMITED
ALL RIGHTS RESERVED.

NO.	DATE

REVISIONS

BY	APP'D

Structural Engineer
Eng. Lakshmi Fernando
(REGISTERED CIVIL ENGINEER)
DRAWN
MWSM

Drawing Title
GENERAL ARRANGEMENT FIRST FLOOR

Date
31-10-2023

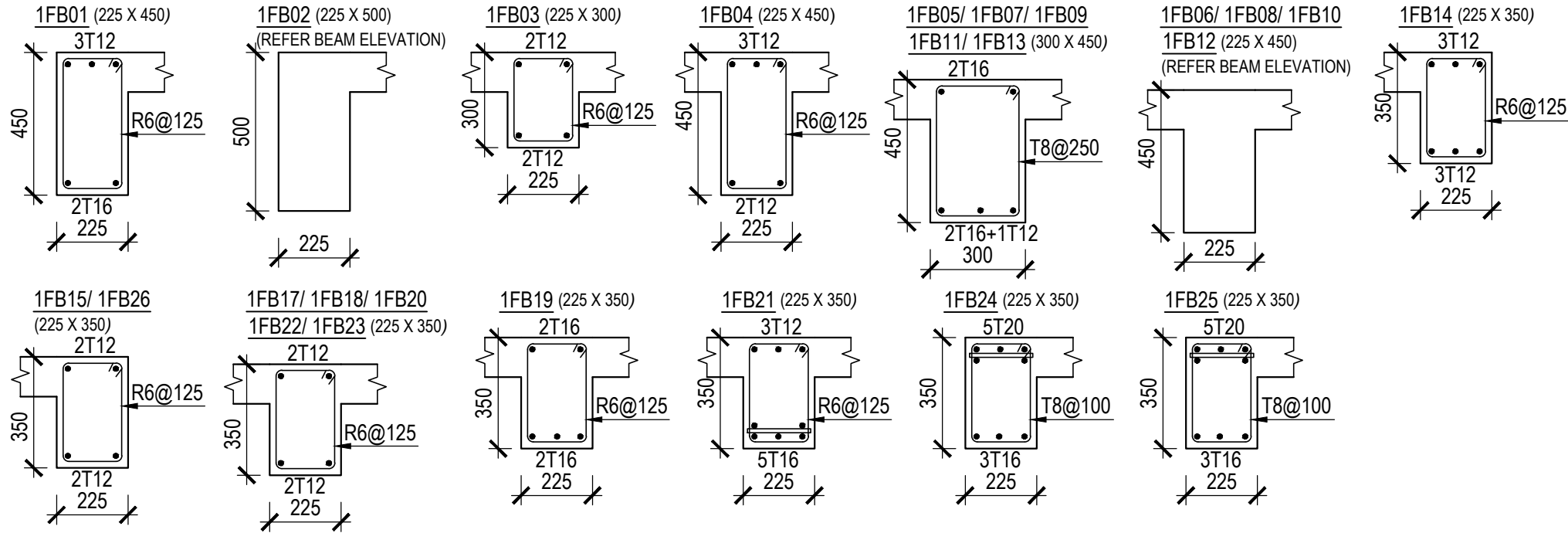
Scale
As shown

Drawing No
SYN/529/1ST/03

BEAM DETAILS - FIRST FLOOR

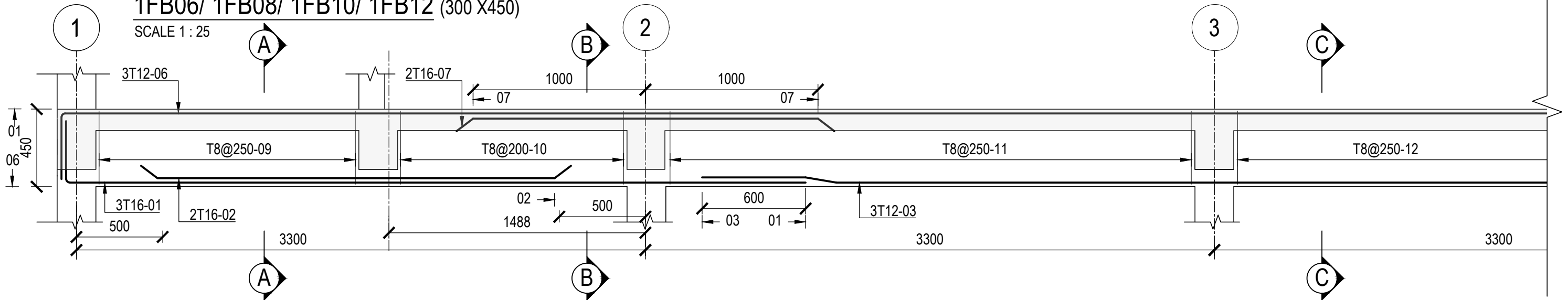
SCALE 1 : 20

TENDER ISSUE



1FB06/ 1FB08/ 1FB10/ 1FB12 (300 X 450)

SCALE 1 : 25



Consortium Consultancy Services for Design and Construction,
Supervision of Proposed Improvement and Modification of
Class rooms (Section B) in Sri Lanka Institute of Textile & Apparel

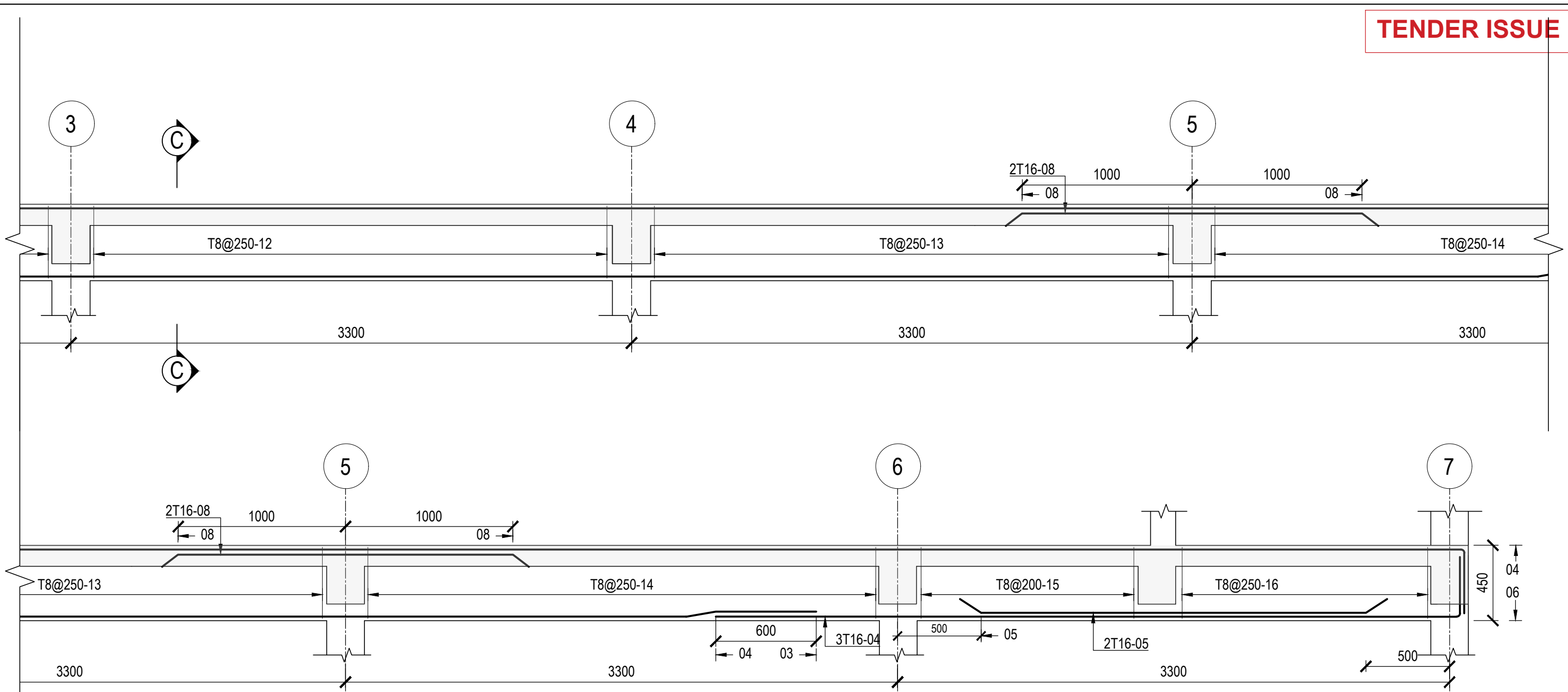
synoergo
chartered | architects, engineers

Synergo Consultants (Pvt) Limited
9A, Sarasavi Udayanaya, Nugegoda, Sri Lanka.
Tel: +94117 208907, Fax: +94112 199 175
e-mail: synergoconsultants@gmail.com
web: www.synergo.lk

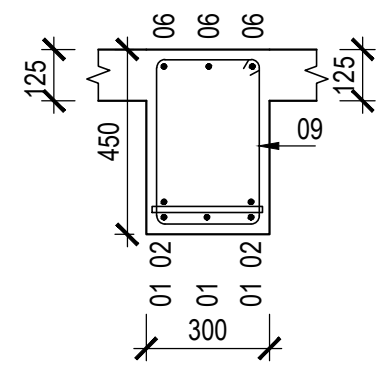
DO NOT SCALE FROM DRAWINGS.
VERIFY ALL DIMENSIONS ON SITE BEFORE COMMENCING WORK.
COPYING OR REPRODUCTION OF THIS DRAWING IS
STRICTLY PROHIBITED WITHOUT THE CONSENT OF SYNERGO
CONSULTANTS (PVT) LIMITED.
ALL RIGHTS RESERVED.

NO.	DATE	REVISIONS	BY	APVD	Structural Engineer Eng. Lakruwan Fernando B.Sc. Eng (Hons), CEng, MIE(SL), MISSE(SL)	Drawing Title BEAM DETAILS- FIRST FLOOR Sheet - 01
				MWSM	Drawn	Date 31-10-2023
						Scale As shown
						Drawing No SYN/5291/ST/04

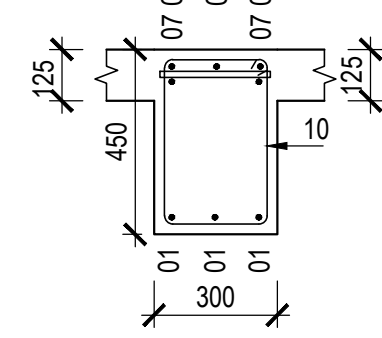
TENDER ISSUE



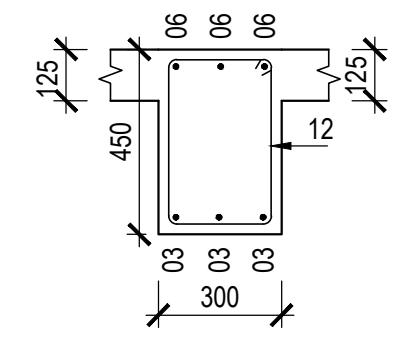
SECTION A
1:20



SECTION B
1:20



SECTION C
1:20



Consortium Consultancy Services for Design and Construction,
Supervision of Proposed Improvement and Modification of
Class rooms (Section B) in Sri Lanka Institute of Textile & Apparel



Synergo Consultants (Pvt) Limited
9A, Sarasavi Udayanaya, Nugegoda, Sri Lanka.
Tel: +94117 208907, Fax: +94112 199 175
e-mail: synergoconsultants@gmail.com
web: www.synergo.lk

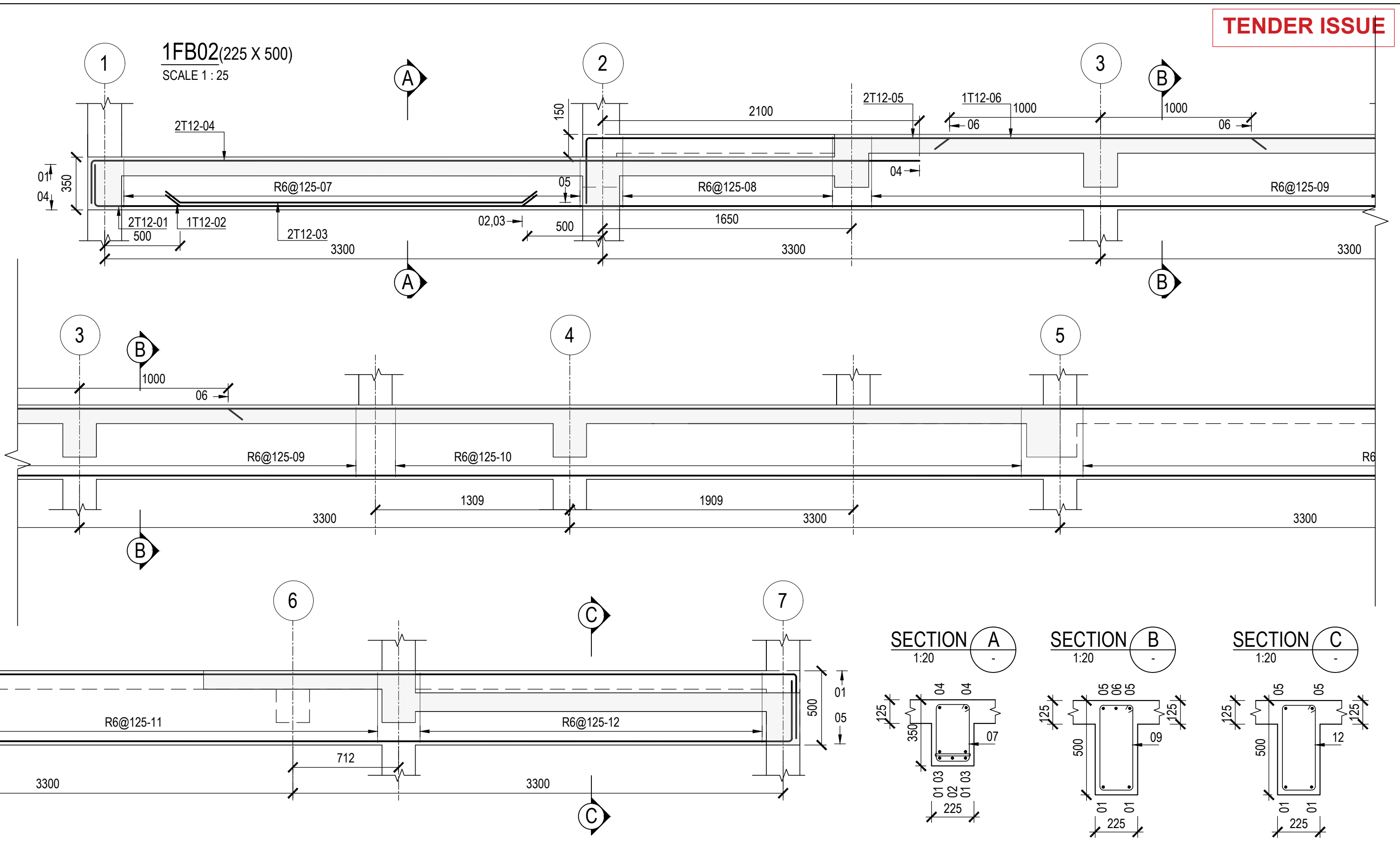
DO NOT SCALE FROM DRAWINGS.
VERIFY ALL DIMENSIONS ON SITE BEFORE COMMENCING WORK.
COPYING OR REPRODUCTION OF THIS DRAWING IS
STRICTLY PROHIBITED WITHOUT THE CONSENT OF SYNERGO
CONSULTANTS (PVT) LIMITED.
ALL RIGHTS RESERVED.

NO.	DATE	REVISIONS	BY	APVD

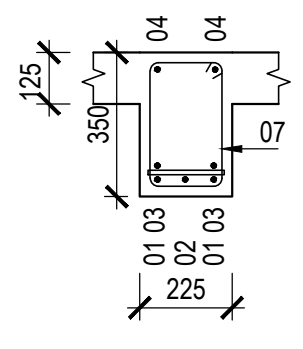
Structural Engineer Eng. Lakruwan Fernando B.Sc. Eng (Hons), CEng, MIE(SL), MSSE(SL)	Drawing Title BEAM DETAILS- FIRST FLOOR Sheet - 02		
	Drawn MWSM	Date 31-10-2023	Scale As shown

TENDER ISSUE

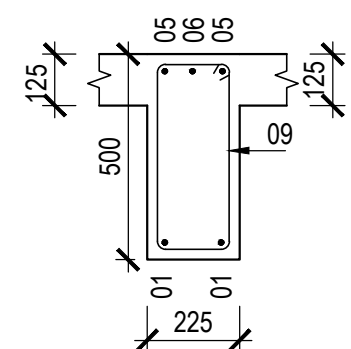
1FB02(225 X 500)
SCALE 1 : 25



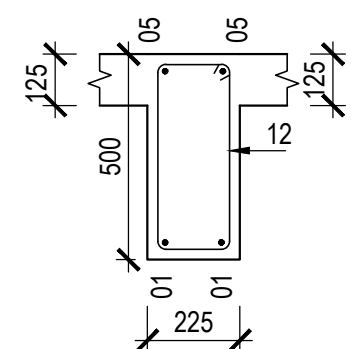
SECTION A
1:20



SECTION B
1:20



SECTION C
1:20



Consortium Consultancy Services for Design and Construction,
Supervision of Proposed Improvement and Modification of
Class rooms (Section B) in Sri Lanka Institute of Textile & Apparel

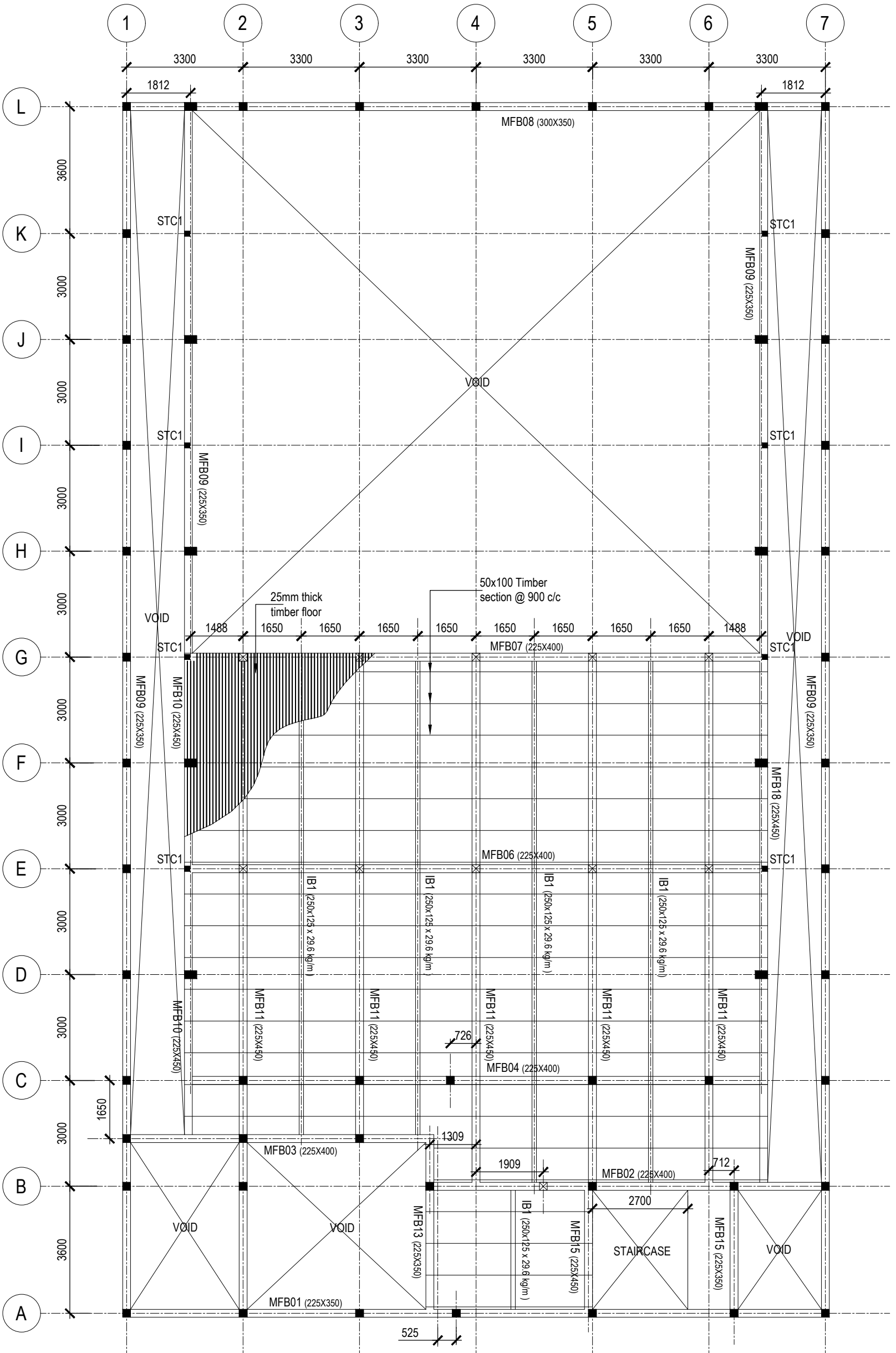


Synergo Consultants (Pvt) Limited
9A, Sarassavi Udayanaya, Nugegoda, Sri Lanka.
Tel: +94117 208907, Fax: +94112 199 175
e-mail: synergoconsultants@gmail.com
web: www.synergo.lk

DO NOT SCALE FROM DRAWINGS.
VERIFY ALL DIMENSIONS ON SITE BEFORE COMMENCING WORK.
COPYING OR REPRODUCTION OF THIS DRAWING IS
STRICTLY PROHIBITED WITHOUT THE CONSENT OF SYNERGO
CONSULTANTS (PVT) LIMITED.
ALL RIGHTS RESERVED.

NO.	DATE	REVISIONS	BY	APVD

Structural Engineer Eng. Lakruwan Fernando B.Sc.(Eng.(Hons)), C.Eng., MIE(SL), MISSE(SL)		Drawing Title BEAM DETAILS- FIRST FLOOR Sheet - 03		
Drawn MWSM	Date 31-10-2023	Scale As shown	Drawing No SYN/5291/ST/06	



GENERAL ARRANGEMENT ATTIC FLOOR

SCALE 1 : 100

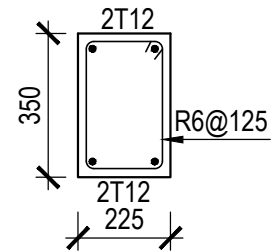
SLAB THICKNESS WHERE NOT SHOWN =125mm

TENDER ISSUE

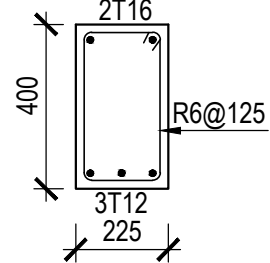
BEAM DETAILS - ATTIC FLOOR

SCALE 1 : 20

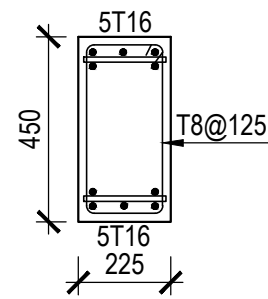
MFB01/ MFB08 / MFB09
MFB13/MFB15
(225 X 350)



MFB02/ MFB03/ MFB04
MFB06/MFB07
(225 X 400)



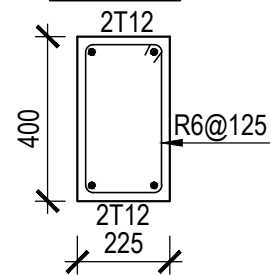
MFB10/ MFB11/MFB12
MFB14/MFB16/MFB17 (225 X 450)



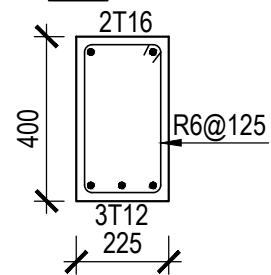
BEAM DETAILS - ROOF LEVEL

SCALE 1 : 20

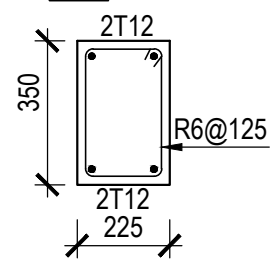
RB01/ RB02 (225 X 400)



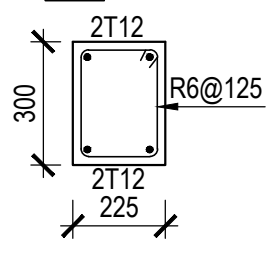
RB03 (225 X 400)



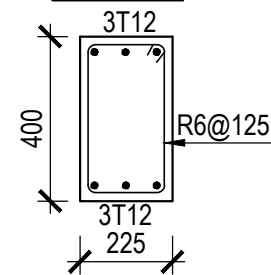
RB04 (225 X 400)



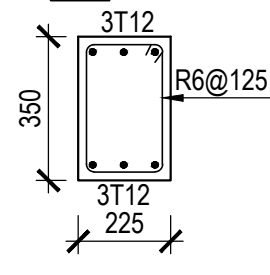
RB05 (225 X 400)



RB06/ RB07 (225 X 400)



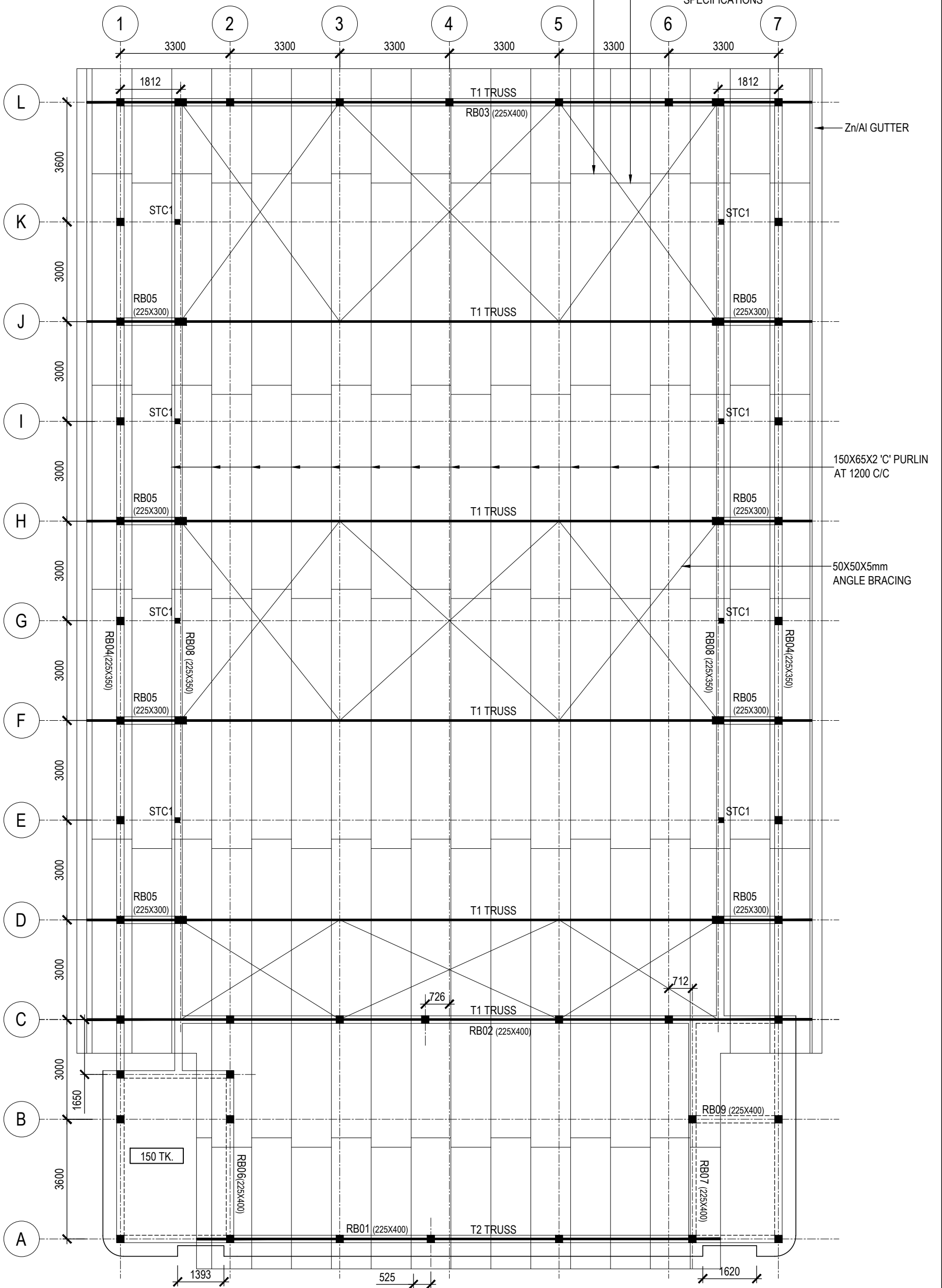
RB08 (225 X 400)



NO.	DATE	REVISIONS	BY	APVD

Structural Engineer Eng. Lakruwan Fernando B.Sc. Eng. (Hons), CEng, MIE(SL), MSSE(SL)		Drawing Title BEAM DETAILS - ATTIC AND ROOF LEVELS		
Drawn MWSM	Date 31-10-2023	Scale As shown	Drawing No SYN/5291/ST/08	

10mm DIA. TIE RODS ACCORDING TO MANUFACTURER'S SPECIFICATIONS



GENERAL ARRANGEMENT - ROOF LEVEL

SCALE 1 : 100

SLAB THICKNESS WHERE NOT SHOWN = 125mm

Consortium Consultancy Services for Design and Construction,
Supervision of Proposed Improvement and Modification of
Class rooms (Section B) in Sri Lanka Institute of Textile & Apparel

syn ergo
civil | architectural | structural engineers

Synerg Consultants (Pvt) Limited Sri Lanka
111, The Arcade, Colombo 03
Tel: +94117 208807 Fax: +94117 109 175
e-mail: synergconsultants@msl.com
web: www.synergo.lk

DO NOT SCALE FROM DRAWINGS.
VERIFY ALL DIMENSIONS ON SITE BEFORE COMMENCING WORK.
COPYING OR REPRODUCTION OF THIS DRAWING IS
STRICTLY PROHIBITED WITHOUT THE CONSENT OF SYNERGO
CONSULTANTS (PVT) LIMITED.
ALL RIGHTS RESERVED.

NO.	DATE	REVISIONS	BY	AP/D

Structural Engineer
Eng. Lakshani Fernando
REGISTERED
REGISTERED

Drawing Title
GENERAL ARRANGEMENT ROOF LEVEL

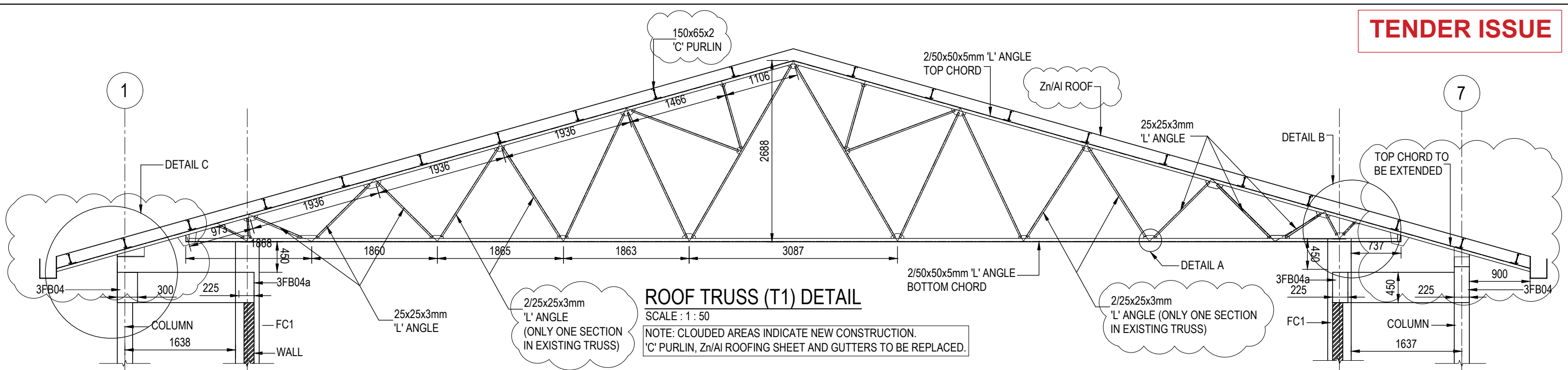
Date
31-10-2023

Scale
As shown

Drawing No
SYNS291/ST09

TENDER ISSUE

TENDER ISSUE

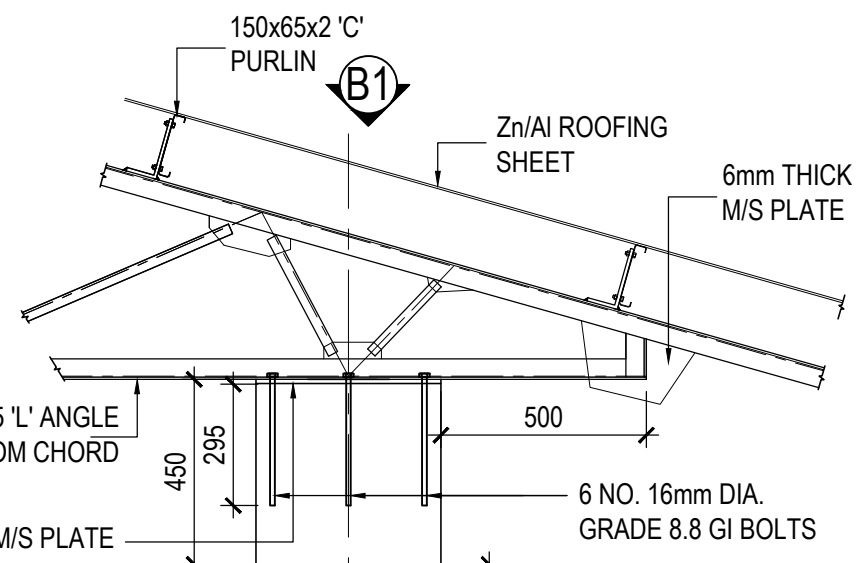


ROOF TRUSS (T1) DETAIL

SCALE : 1 : 50
 NOTE: CLOUDED AREAS INDICATE NEW CONSTRUCTION.
 'C' PURLIN, Zn/Al ROOFING SHEET AND GUTTERS TO BE REPLACED.

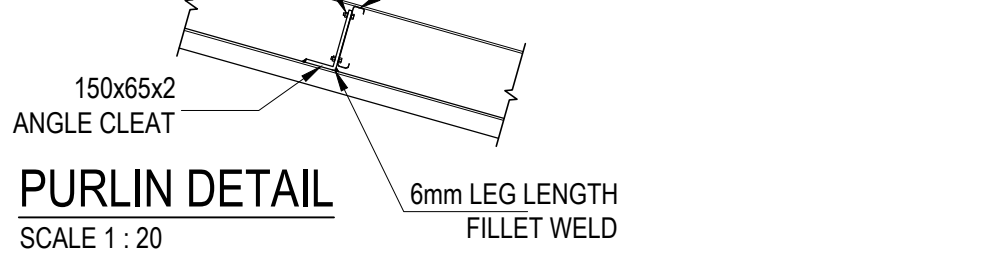
DETAIL 'B'

SCALE 1 : 20



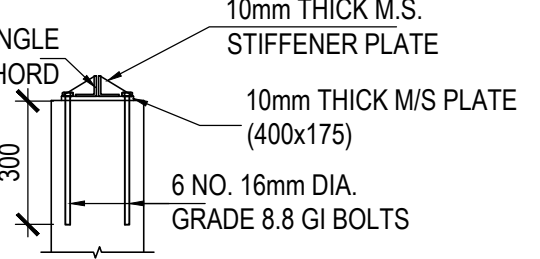
PURLIN DETAIL

SCALE 1 : 20



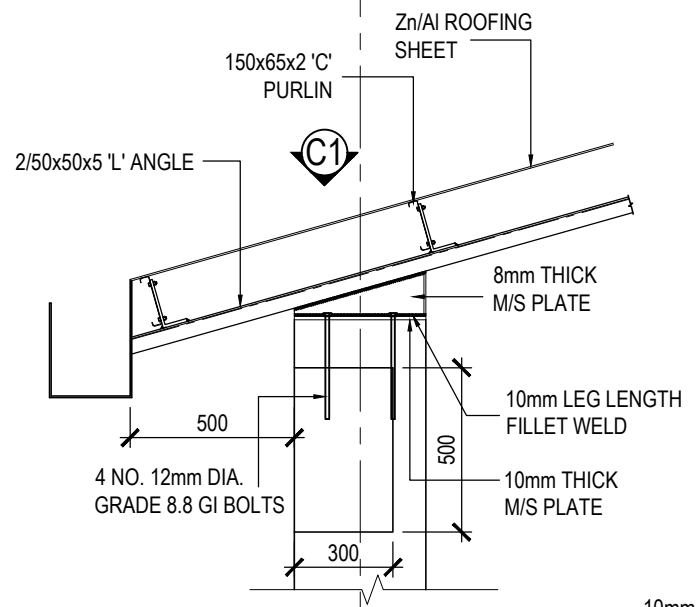
DETAIL 'A' - TYPICAL CONNECTION DETAIL

SCALE 1 : 20



DETAIL 'C'

SCALE 1 : 20



VIEW C2

1:20

VIEW C1

1:20

VIEW B1

1:20

VIEW B2

1:20

Consortium Consultancy Services for Design and Construction,
 Supervision of Proposed Improvement and Modification of
 Class rooms (Section B) in Sri Lanka Institute of Textile & Apparel



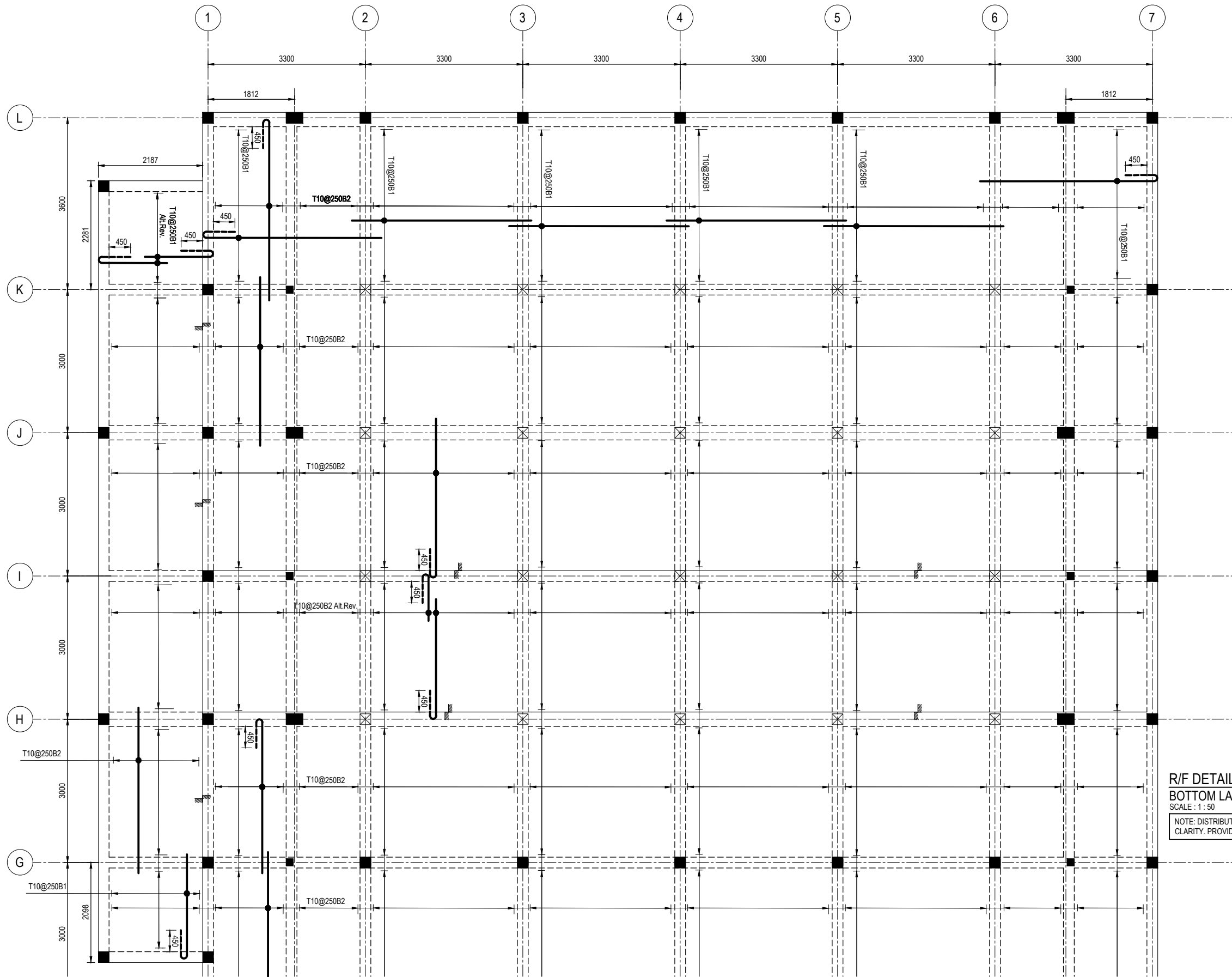
Synergo Consultants (Pvt) Limited
 9A, Sarasavi Udayanaya, Nugegoda, Sri Lanka.
 Tel: +94117 208907, Fax: +94112 199 175
 e-mail: synergoconsultants@gmail.com
 web: www.synergo.lk

DO NOT SCALE FROM DRAWINGS.
 VERIFY ALL DIMENSIONS ON SITE BEFORE COMMENCING WORK.
 COPYING OR REPRODUCTION OF THIS DRAWING IS
 STRICTLY PROHIBITED WITHOUT THE CONSENT OF SYNERGO
 CONSULTANTS (PVT) LIMITED.
 ALL RIGHTS RESERVED.

NO.	DATE	REVISIONS	BY	APVD

Structural Engineer Eng. Lakruwan Fernando B.Sc. Eng. (Hons), C.Eng., MIE(SL), MSE(SL)		Drawing Title ROOF TRUSS DETAIL	
Drawn MWSM	Date 31-10-2023	Scale As shown	Drawing No SYN/5291/ST/10

TENDER ISSUE



**R/F DETAILS - FIRST FLOOR
BOTTOM LAYER**
SCALE : 1 : 50

NOTE: DISTRIBUTION STEEL NOT SHOWN FOR CLARITY. PROVIDE T10@250 WHERE NECESSARY.

Consortium Consultancy Services for Design and Construction,
Supervision of Proposed Improvement and Modification of
Class rooms (Section B) in Sri Lanka Institute of Textile & Apparel



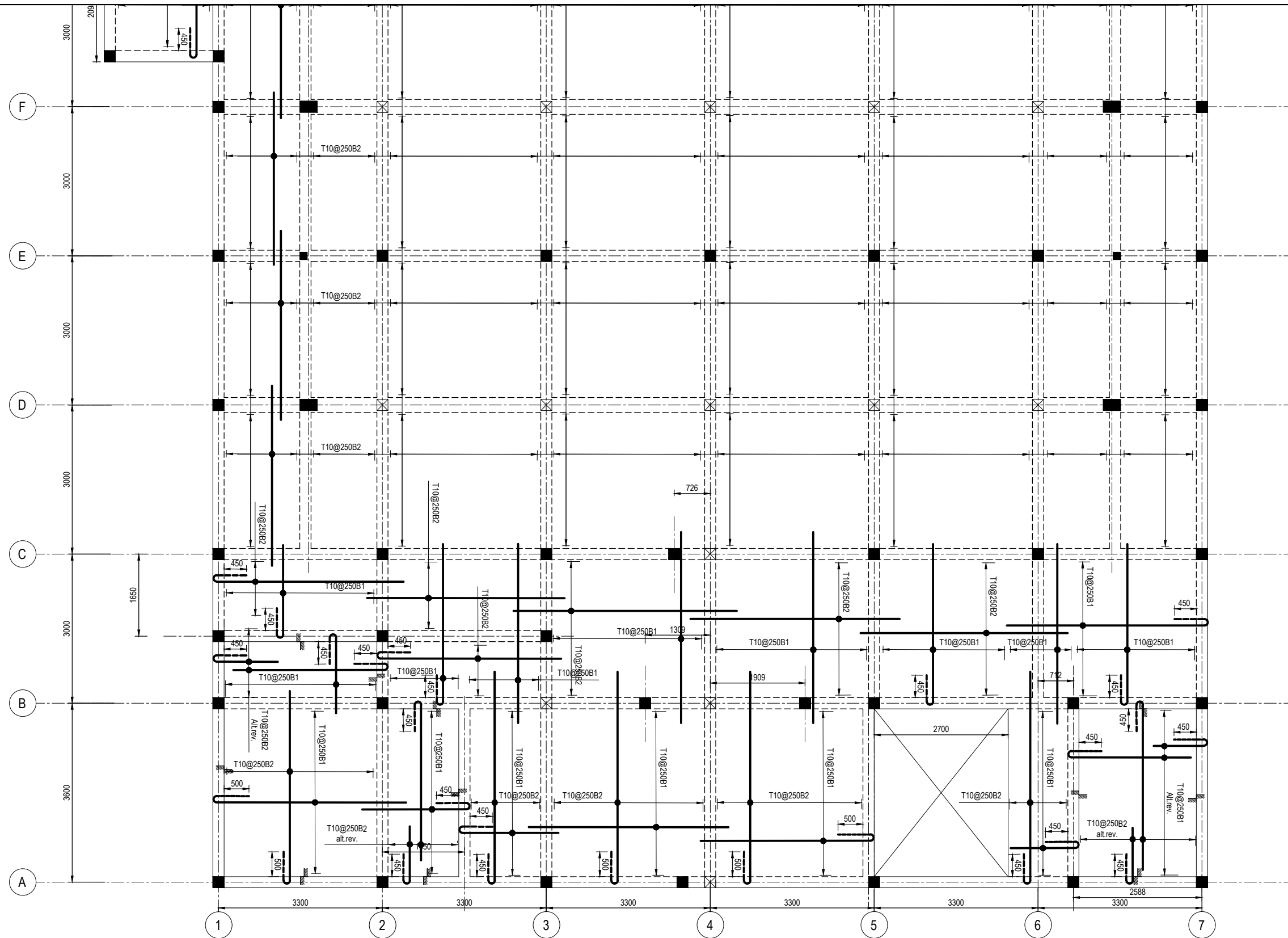
Synergo Consultants (Pvt) Limited
9A, Sarassavi Udayanaya, Nugegoda, Sri Lanka.
Tel: +94117 208907, Fax: +94112 199 175
e-mail: synergoconsultants@gmail.com
web: www.synergo.lk

DO NOT SCALE FROM DRAWINGS.
VERIFY ALL DIMENSIONS ON SITE BEFORE COMMENCING WORK.
COPYING OR REPRODUCTION OF THIS DRAWING IS
STRICTLY PROHIBITED WITHOUT THE CONSENT OF SYNERGO
CONSULTANTS (PVT) LIMITED.
ALL RIGHTS RESERVED.

NO.	DATE	REVISIONS	BY	APVD

Structural Engineer Eng. Lakruwan Fernando B.Sc. Eng. (Hons), C.Eng. MIE(SL), MSSE(SL)	Drawing Title R/F DETAIL BOTTOM LAYER- FIRST FLOOR Sheet- 01		
	Drawn MWSM	Date 31-10-2023	Scale As shown

TENDER ISSUE



**R/F DETAILS - FIRST FLOOR
BOTTOM LAYER**
SCALE : 1 : 50
NOTE: DISTRIBUTION STEEL NOT SHOWN FOR CLARITY. PROVIDE T10@250 WHERE NECESSARY.

Consortium Consultancy Services for Design and Construction,
Supervision of Proposed Improvement and Modification of
Class rooms (Section B) in Sri Lanka Institute of Textile & Apparel



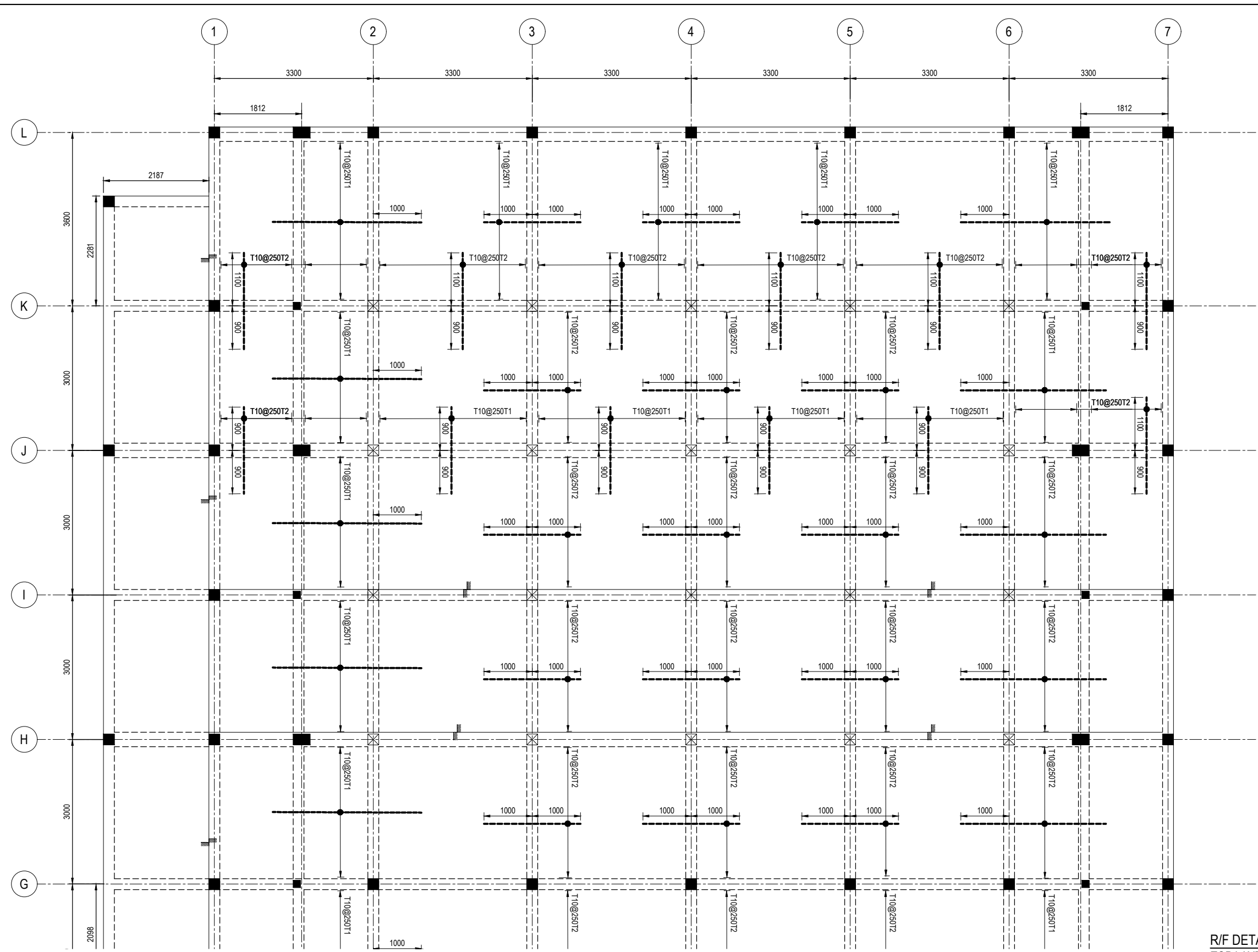
Synergo Consultants (Pvt) Limited
9A, Sarassavi Udayanaya, Nugegoda, Sri Lanka.
Tel: +94117 208907, Fax: +94112 199 175
e-mail: synergoconsultants@gmail.com
web: www.synergo.lk

DO NOT SCALE FROM DRAWINGS.
VERIFY ALL DIMENSIONS ON SITE BEFORE COMMENCING WORK.
COPYING OR REPRODUCTION OF THIS DRAWING IS
STRICTLY PROHIBITED WITHOUT THE CONSENT OF SYNERGO
CONSULTANTS (PVT) LIMITED.
ALL RIGHTS RESERVED.

NO.	DATE	REVISIONS	BY	APVD

Structural Engineer Eng. Lakruwan Fernando B.Sc. Eng. (Hons), C.Eng. MIE(SL), MSSE(SL)	Drawing Title R/F DETAIL BOTTOM LAYER - FIRST FLOOR Sheet- 02		
	Drawn MWSM	Date 31-10-2023	Scale As shown
Drawing No SYN/5291/ST/12			

TENDER ISSUE



R/F DETAILS - FIRST FLOOR
TOP LAYER
 SCALE : 1 : 50
 NOTE: DISTRIBUTION STEEL NOT SHOWN FOR CLARITY. PROVIDE T10@250 WHERE NECESSARY.

Consortium Consultancy Services for Design and Construction,
 Supervision of Proposed Improvement and Modification of
 Class rooms (Section B) in Sri Lanka Institute of Textile & Apparel



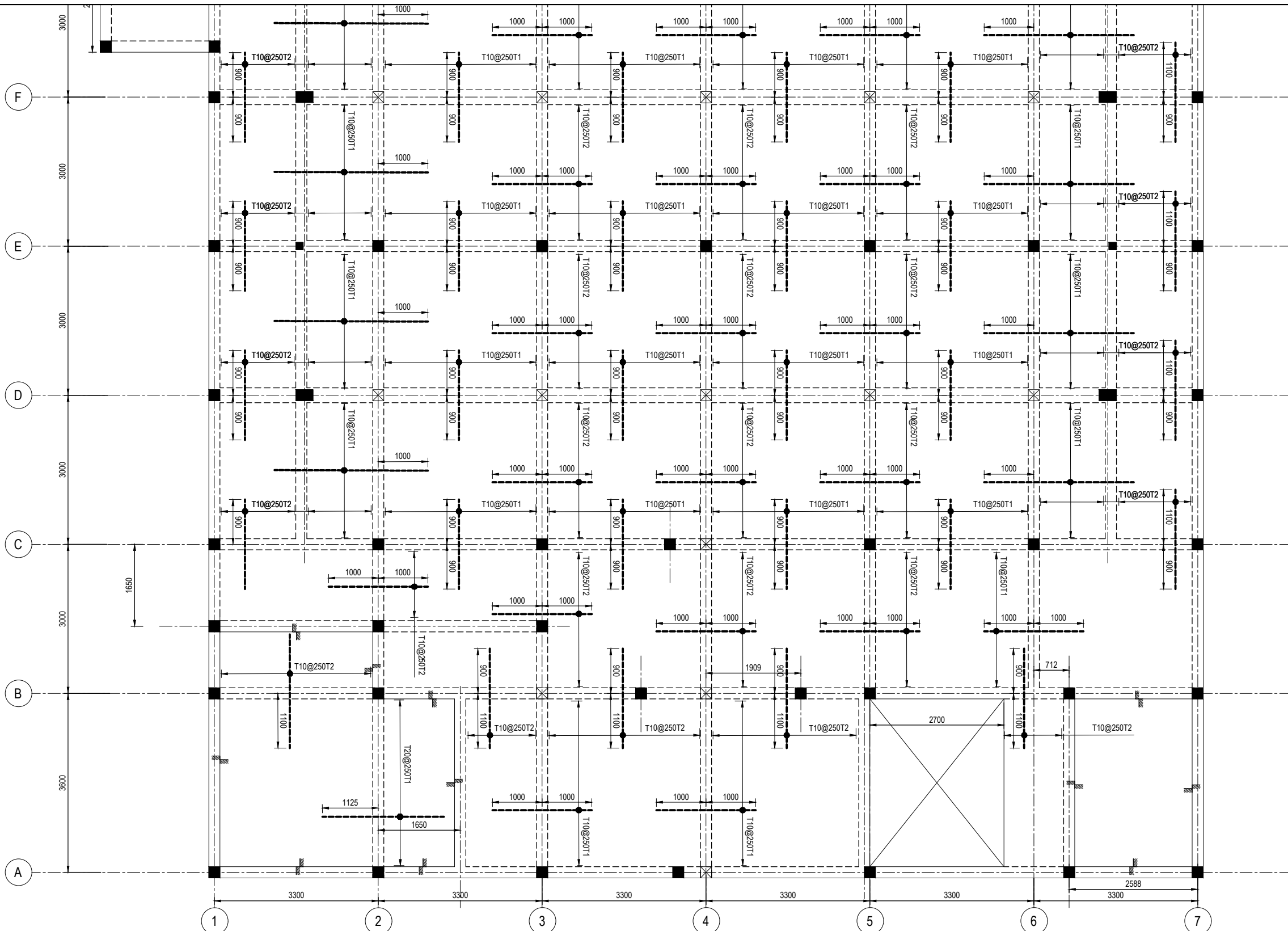
Synergo Consultants (Pvt) Limited
 9A, Sarasavi Udayanaya, Nugegoda, Sri Lanka.
 Tel: +94117 208907, Fax: +94112 199 175
 e-mail: synergoconsultants@gmail.com
 web: www.synergo.lk

DO NOT SCALE FROM DRAWINGS.
 VERIFY ALL DIMENSIONS ON SITE BEFORE COMMENCING WORK.
 COPYING OR REPRODUCTION OF THIS DRAWING IS
 STRICTLY PROHIBITED WITHOUT THE CONSENT OF SYNERGO
 CONSULTANTS (PVT) LIMITED.
 ALL RIGHTS RESERVED.

NO.	DATE	REVISIONS	BY	APVD

Structural Engineer Eng. Lakruwan Fernando B.Sc.(Eng.(Hons)), C.Eng., MIE(SL), MSSE(SL)	Drawing Title R/F DETAIL TOP LAYER- FIRST FLOOR Sheet- 01		
	Drawn MWSM	Date 31-10-2023	Scale As shown

TENDER ISSUE



R/F DETAILS - FIRST FLOOR
TOP LAYER
 SCALE : 1 : 50
 NOTE: DISTRIBUTION STEEL NOT SHOWN FOR CLARITY. PROVIDE T10@250 WHERE NECESSARY.

Consortium Consultancy Services for Design and Construction,
 Supervision of Proposed Improvement and Modification of
 Class rooms (Section B) in Sri Lanka Institute of Textile & Apparel



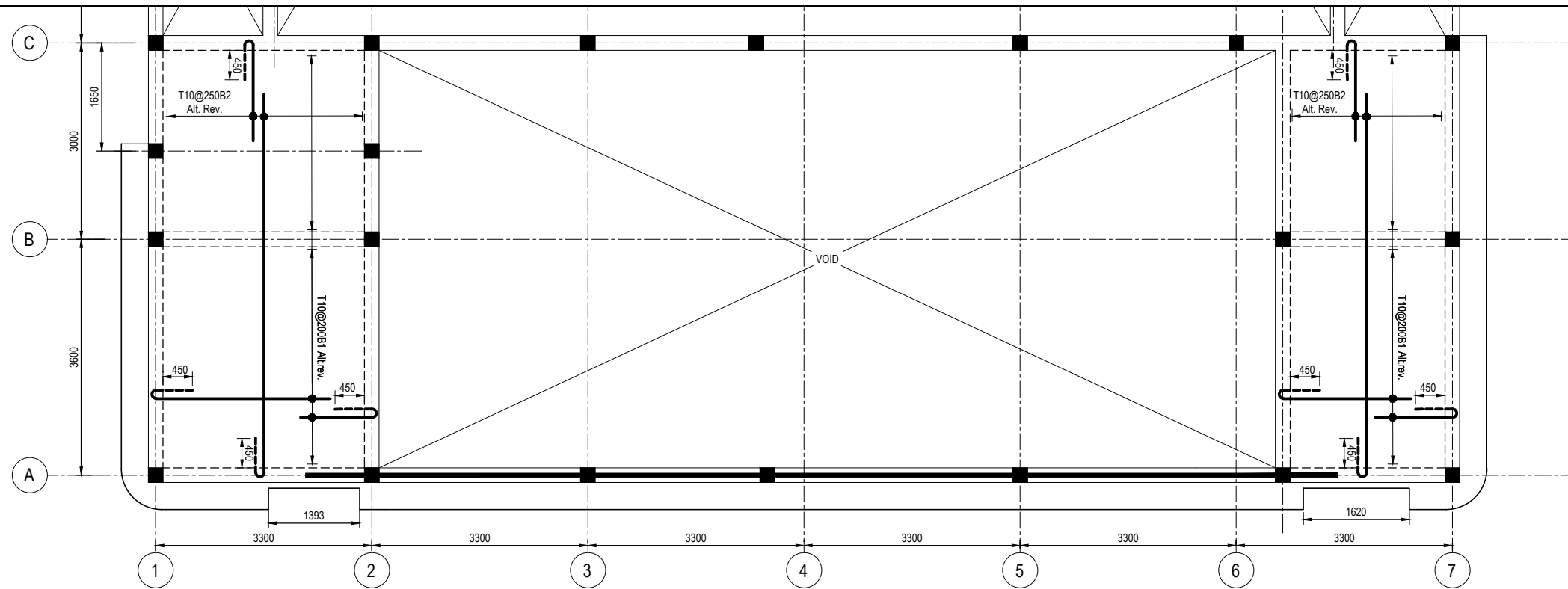
Synergo Consultants (Pvt) Limited
 9A, Sarassavi Udayanaya, Nugegoda, Sri Lanka.
 Tel: +94117 208907, Fax: +94112 199 175
 e-mail: synergoconsultants@gmail.com
 web: www.synergo.lk

DO NOT SCALE FROM DRAWINGS.
 VERIFY ALL DIMENSIONS ON SITE BEFORE COMMENCING WORK.
 COPYING OR REPRODUCTION OF THIS DRAWING IS
 STRICTLY PROHIBITED WITHOUT THE CONSENT OF SYNERGO
 CONSULTANTS (PVT) LIMITED.
 ALL RIGHTS RESERVED.

NO.	DATE	REVISIONS	BY	APVD

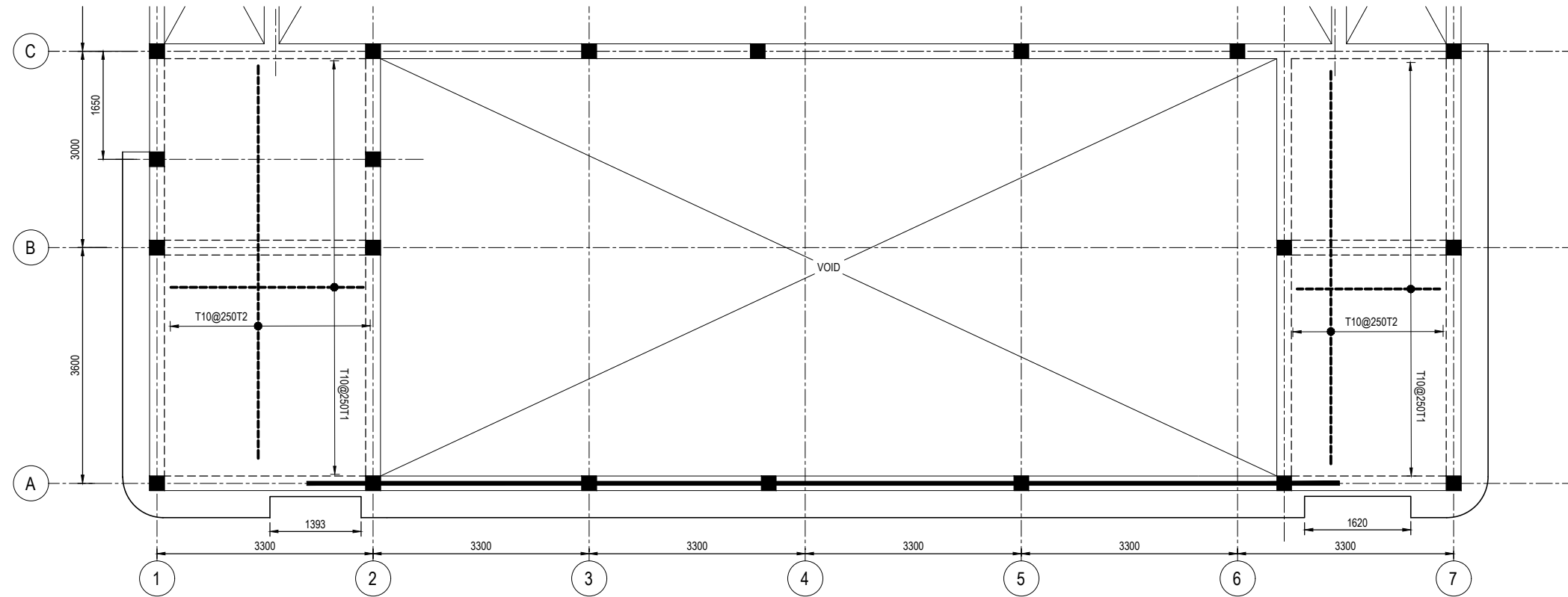
Structural Engineer Eng. Lakruwan Fernando B.Sc. Eng. (Hons), C.Eng. MIE(SL), MSSE(SL)	Drawing Title R/F DETAIL TOP LAYER- FIRST FLOOR Sheet- 02		
	Drawn MWSM	Date 31-10-2023	Scale As shown

TENDER ISSUE



R/F DETAILS - WATER TANK LEVEL
R/F DETAILS - BOTTOM LAYER
 SCALE : 1 : 50

NOTE: DISTRIBUTION STEEL NOT SHOWN FOR CLARITY. PROVIDE T10@250 WHERE NECESSARY.



R/F DETAILS - WATER TANK LEVEL
R/F DETAILS - TOP LAYER
 SCALE : 1 : 50

NOTE: DISTRIBUTION STEEL NOT SHOWN FOR CLARITY. PROVIDE T10@250 WHERE NECESSARY.

Consortium Consultancy Services for Design and Construction,
 Supervision of Proposed Improvement and Modification of
 Class rooms (Section B) in Sri Lanka Institute of Textile & Apparel

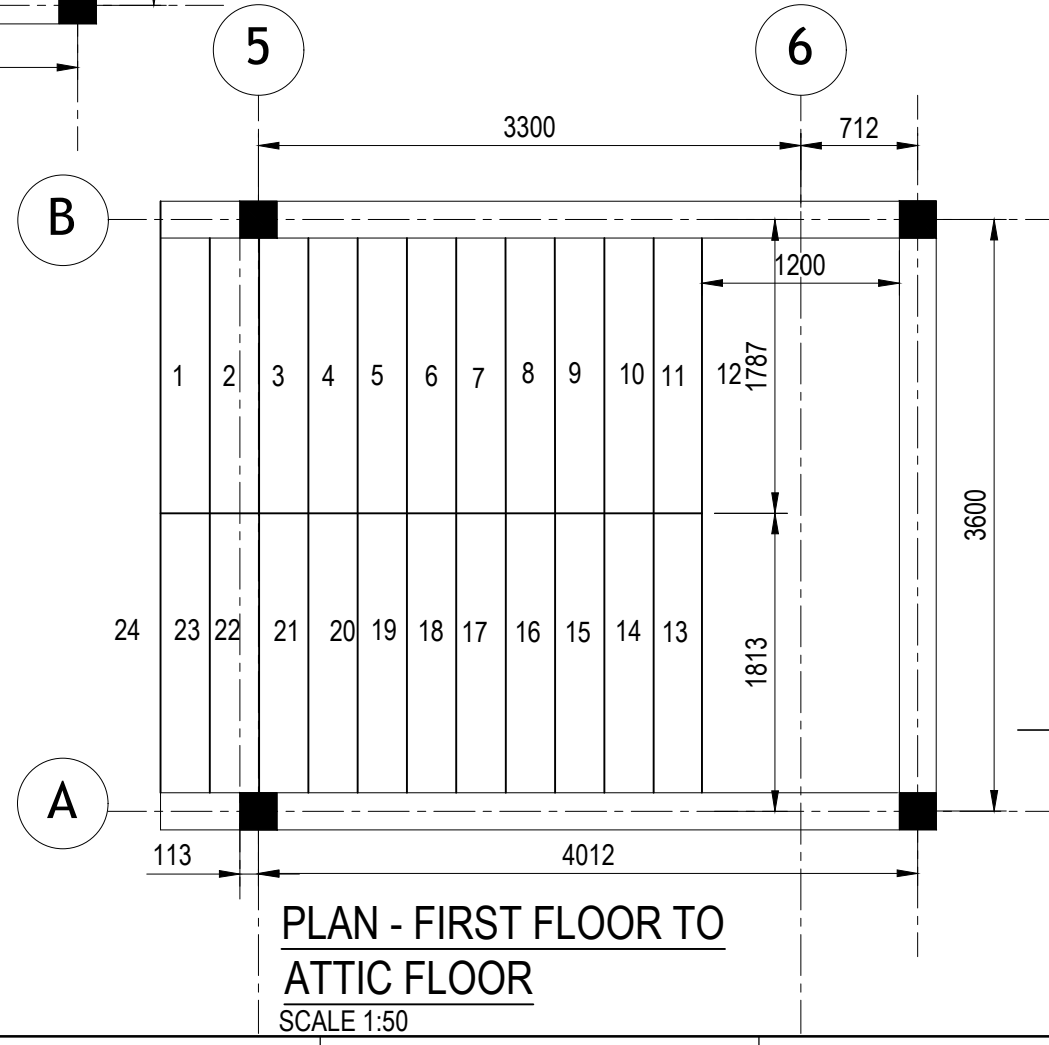
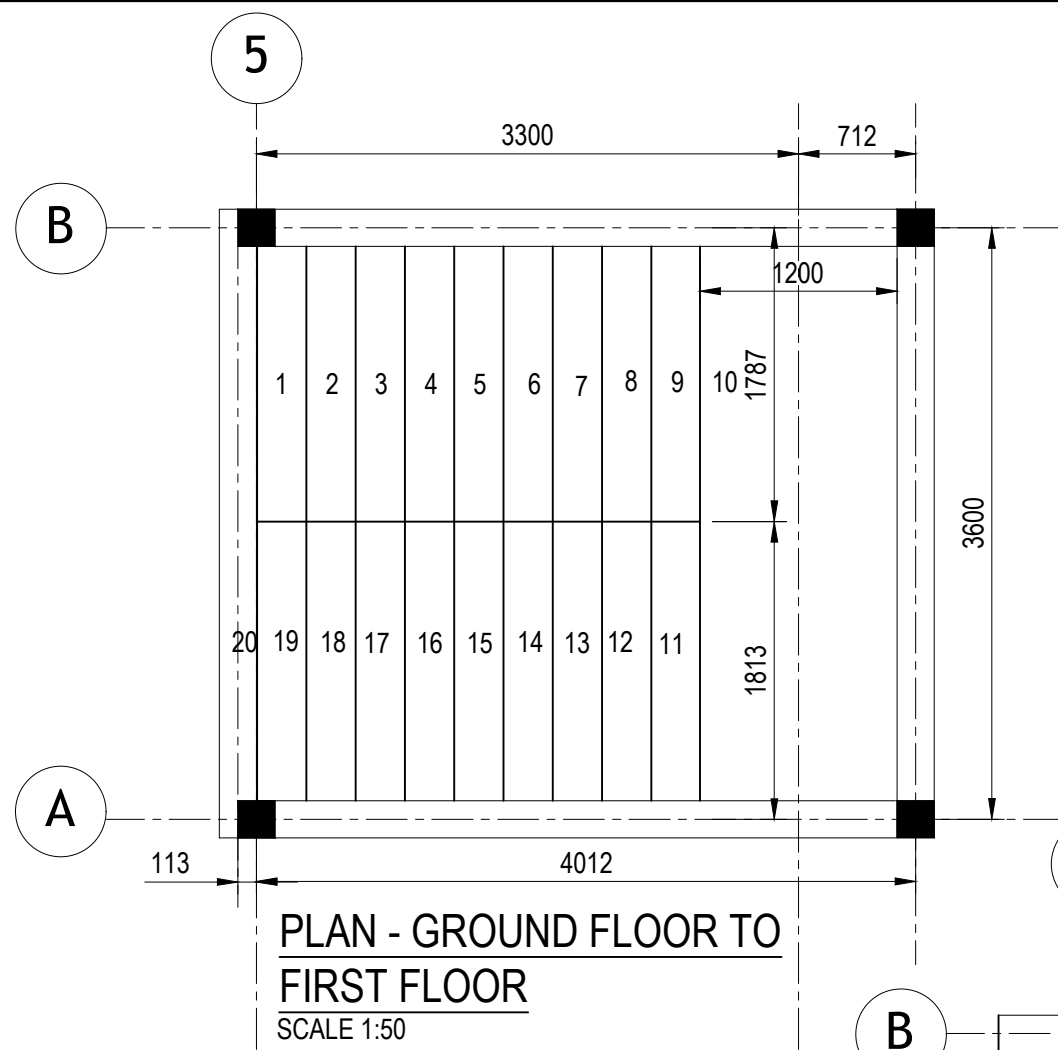


Synergo Consultants (Pvt) Limited
 9A, Sarassavi Udayanaya, Nugegoda, Sri Lanka.
 Tel: +94117 208907, Fax: +94112 199 175
 e-mail: synergoconsultants@gmail.com
 web: www.synergo.lk

DO NOT SCALE FROM DRAWINGS.
 VERIFY ALL DIMENSIONS ON SITE BEFORE COMMENCING WORK.
 COPYING OR REPRODUCTION OF THIS DRAWING IS
 STRICTLY PROHIBITED WITHOUT THE CONSENT OF SYNERGO
 CONSULTANTS (PVT) LIMITED.
 ALL RIGHTS RESERVED.

NO.	DATE	REVISIONS	BY	APVD

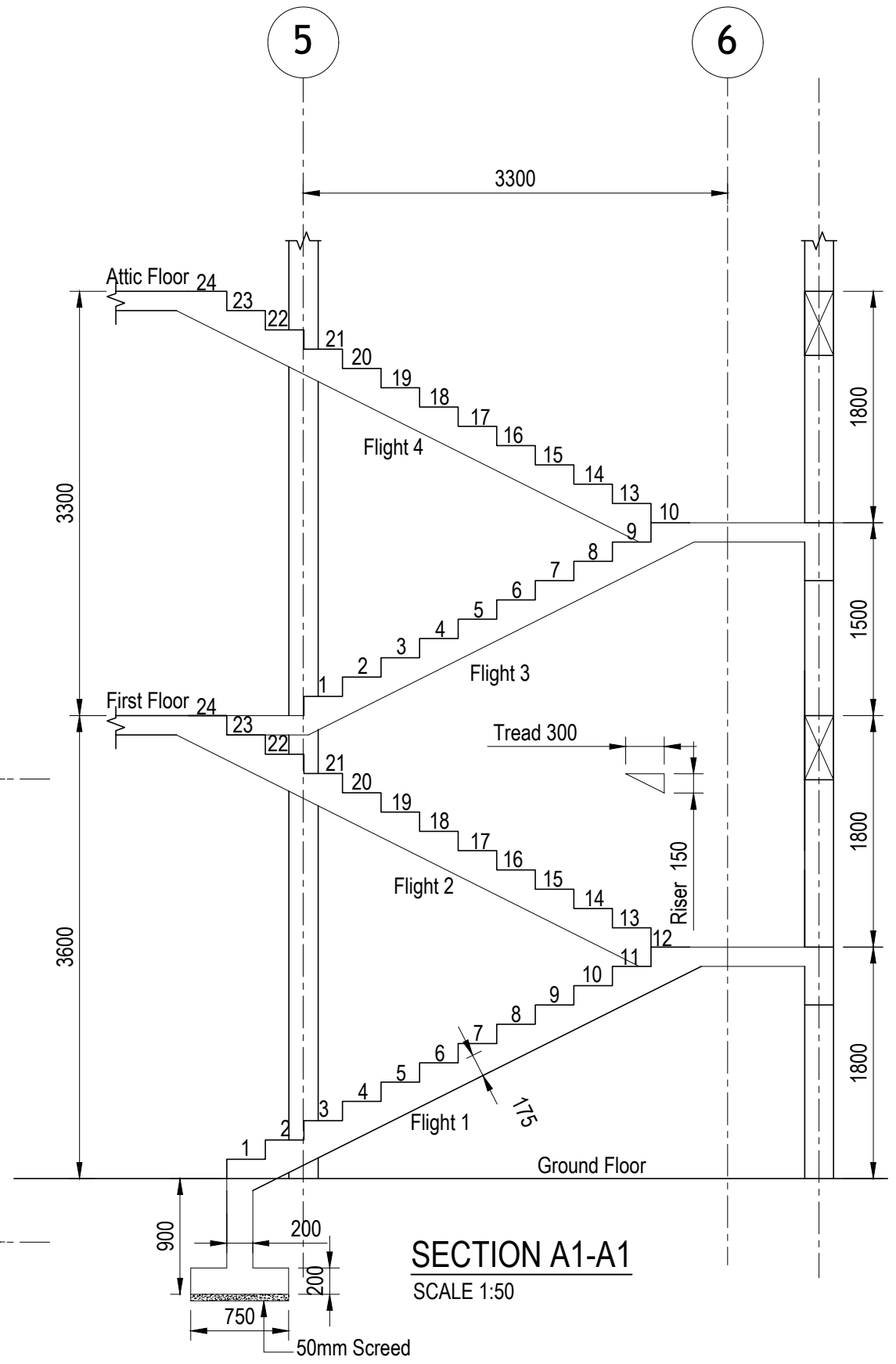
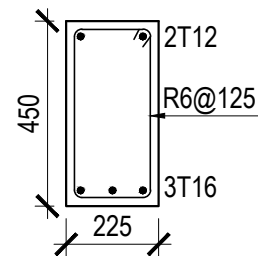
Structural Engineer Eng. Lakruwan Fernando B.Sc. Eng (Hons), CEng, MIE(SL), MSSE(SL)		Drawing Title R/F DETAIL BOTTOM LAYER- WATER TANK LEVEL Sheet- 01		
Drawn MWSM	Date 31-10-2023	Scale As shown	Drawing No SYN/5291/ST/15	



BEAM DETAILS - LANDING

SCALE 1 : 20

LB1(225 X 450)



TENDER ISSUE

Consortium Consultancy Services for Design and Construction,
Supervision of Proposed Improvement and Modification of
Class rooms (Section B) in Sri Lanka Institute of Textile & Apparel

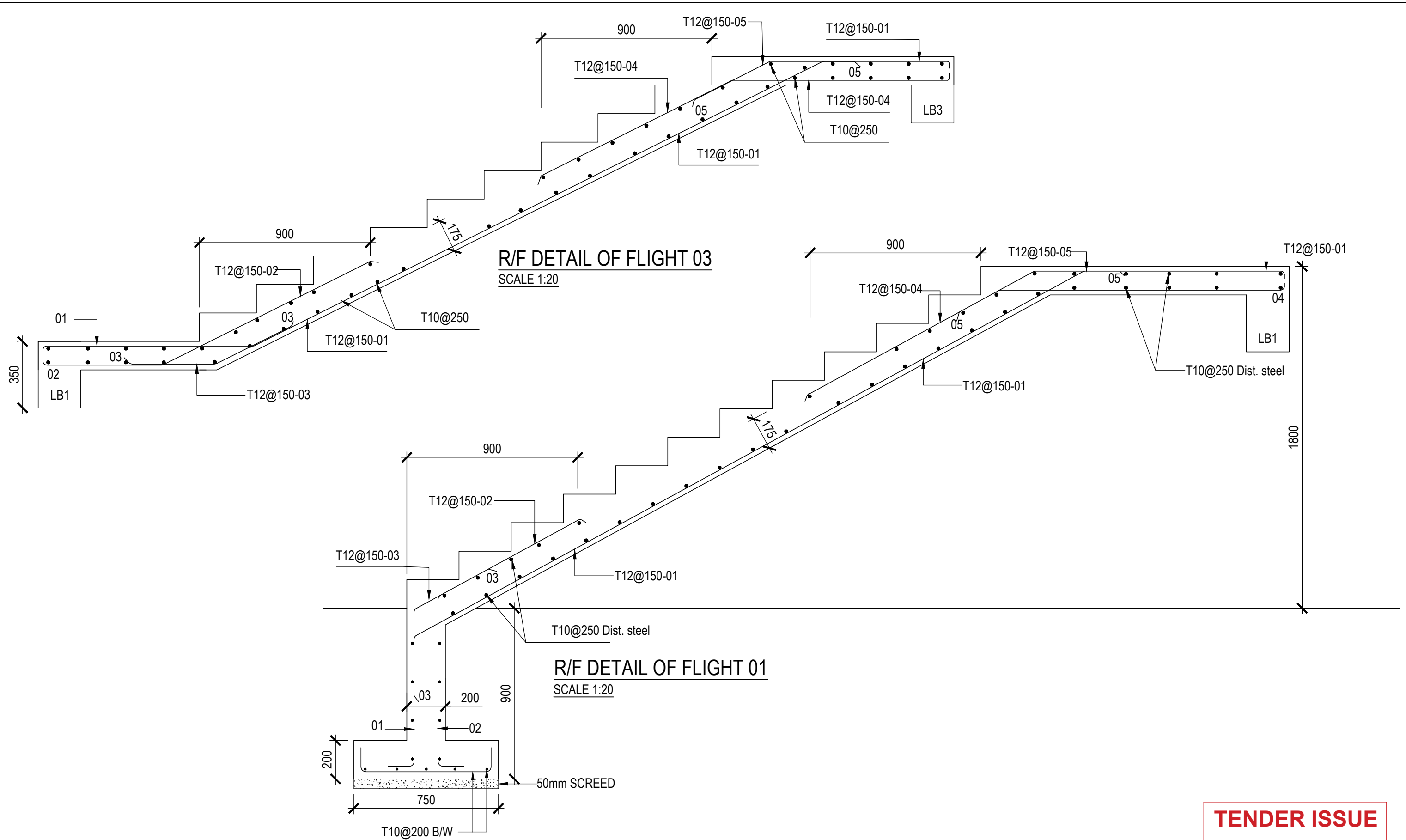


Synergo Consultants (Pvt) Limited
9A, Sarassavi Udayanaya, Nugegoda, Sri Lanka.
Tel: +94117 208907, Fax: +94112 199 175
e-mail: synergoconsultants@gmail.com
web: www.synergo.lk

DO NOT SCALE FROM DRAWINGS.
VERIFY ALL DIMENSIONS ON SITE BEFORE COMMENCING WORK.
COPYING OR REPRODUCTION OF THIS DRAWING IS
STRICTLY PROHIBITED WITHOUT THE CONSENT OF SYNERGO
CONSULTANTS (PVT) LIMITED.
ALL RIGHTS RESERVED.

NO.	DATE	REVISIONS	BY	APVD

Structural Engineer Eng. Lakruwan Fernando B.Sc. Eng (Hons), CEng, MIE(SL), MSSE(SL)		Drawing Title STAIRCASE DETAIL Sheet- 01		
Drawn MWSM	Date 31-10-2023	Scale As shown	Drawing No SYN/5291/ST/16	

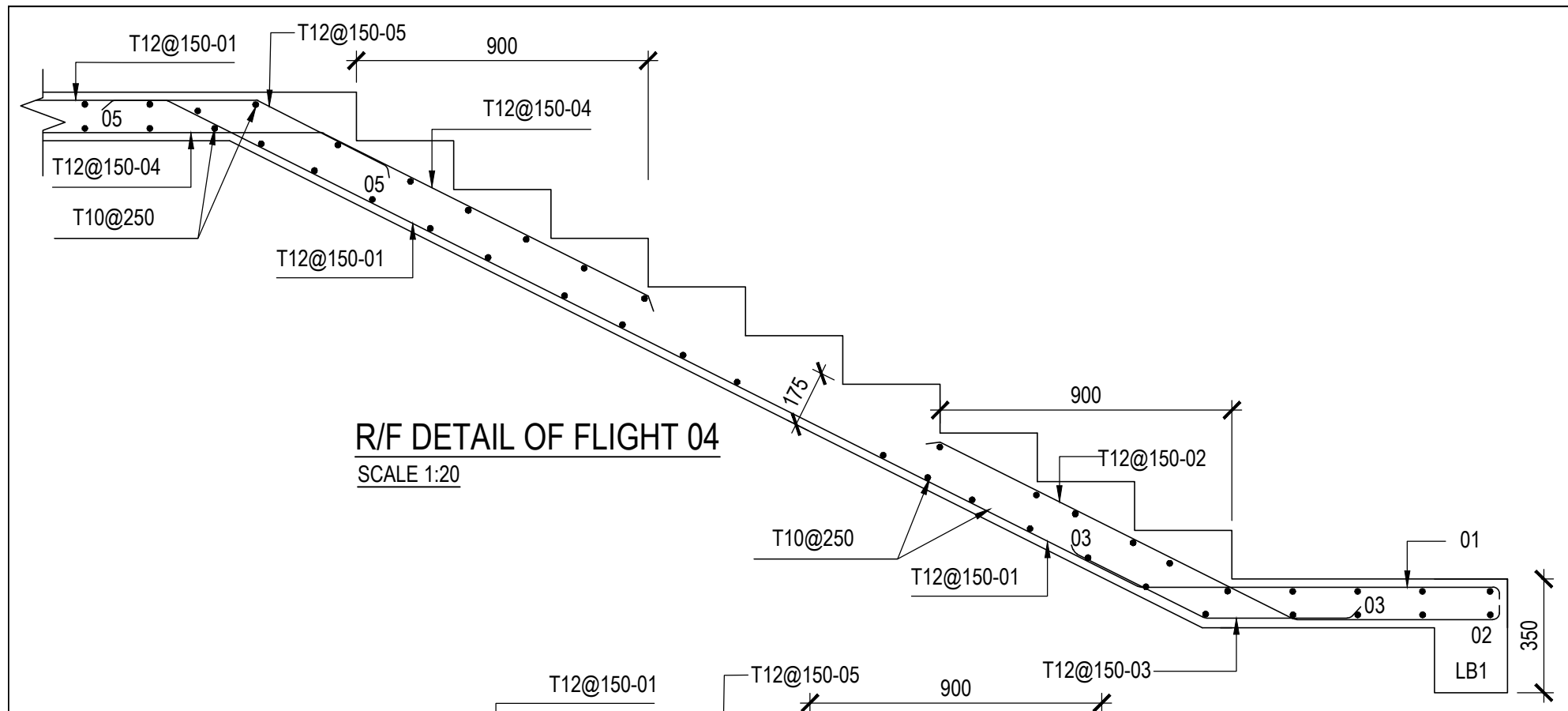


TENDER ISSUE

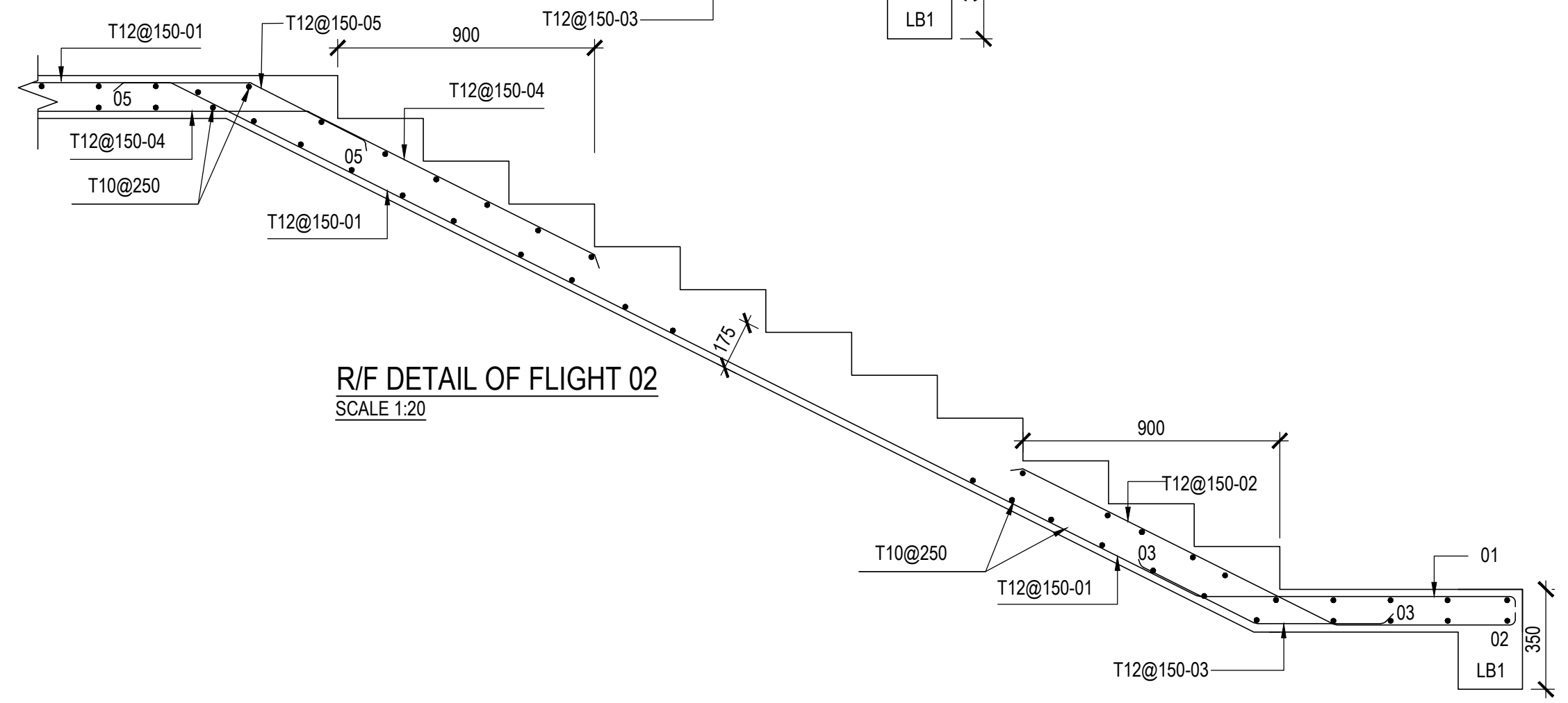
Consortium Consultancy Services for Design and Construction, Supervision of Proposed Improvement and Modification of Class rooms (Section B) in Sri Lanka Institute of Textile & Apparel	 <small>chartered architects, engineers</small>	Synergo Consultants (Pvt) Limited 9A, Sarasavi Udayanaya, Nugegoda, Sri Lanka. Tel: +94117 208907, Fax: +94112 199 175 e-mail: synergoconsultants@gmail.com web: www.synergo.lk	DO NOT SCALE FROM DRAWINGS. VERIFY ALL DIMENSIONS ON SITE BEFORE COMMENCING WORK. COPYING OR REPRODUCTION OF THIS DRAWING IS STRICTLY PROHIBITED WITHOUT THE CONSENT OF SYNERGO CONSULTANTS (PVT) LIMITED. ALL RIGHTS RESERVED.										Structural Engineer Eng. Lakruwan Fernando B.Sc. Eng (Hons), C.Eng, MIE(SL), MSSE(SL)	Drawing Title STAIRCASE DETAIL Sheet- 02		
			Drawn MWSM	Date 31-10-2023	Scale As shown	Drawing No SYN/5291/ST/17	NO.	DATE	REVISIONS	BY	APVD					

TENDER ISSUE

R/F DETAIL OF FLIGHT 04
SCALE 1:20



R/F DETAIL OF FLIGHT 02
SCALE 1:20



Consortium Consultancy Services for Design and Construction,
Supervision of Proposed Improvement and Modification of
Class rooms (Section B) in Sri Lanka Institute of Textile & Apparel



Synergo Consultants (Pvt) Limited
9A, Sarasavi Udayanaya, Nugegoda, Sri Lanka.
Tel: +94117 208907, Fax: +94112 199 175
e-mail: synergoconsultants@gmail.com
web: www.synergo.lk

DO NOT SCALE FROM DRAWINGS.
VERIFY ALL DIMENSIONS ON SITE BEFORE COMMENCING WORK.
COPYING OR REPRODUCTION OF THIS DRAWING IS
STRICTLY PROHIBITED WITHOUT THE CONSENT OF SYNERGO
CONSULTANTS (PVT) LIMITED.
ALL RIGHTS RESERVED.

NO.	DATE	REVISIONS	BY	APVD

Structural Engineer
Eng. Lakruwan Fernando
B.Sc. Eng (Hons), C.Eng. MIE(SL),
MSSE(SL)
Drawn
MWSM

Drawing Title			Date	Scale	Drawing No
STAIRCASE DETAIL Sheet- 03			31-10-2023	As shown	SYN/5291/ST/18